

# ISOMAG ™

THE FRIENDLY MAG METER

HIGH PERFORMANCE CONVERTER

CONVERTER

# ML 210



GRAPHIC DISPLAY CONVERTER

The manufacturer guarantees only English text.  
Available on our web site: [www.isoil.com](http://www.isoil.com)

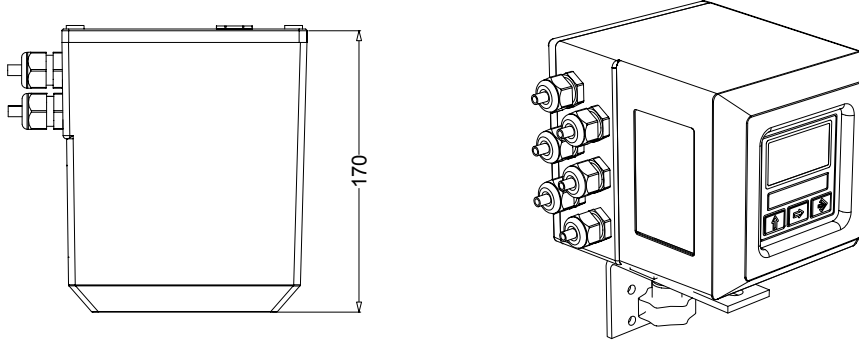
ISOIL   
INDUSTRIA

*The solutions that count*

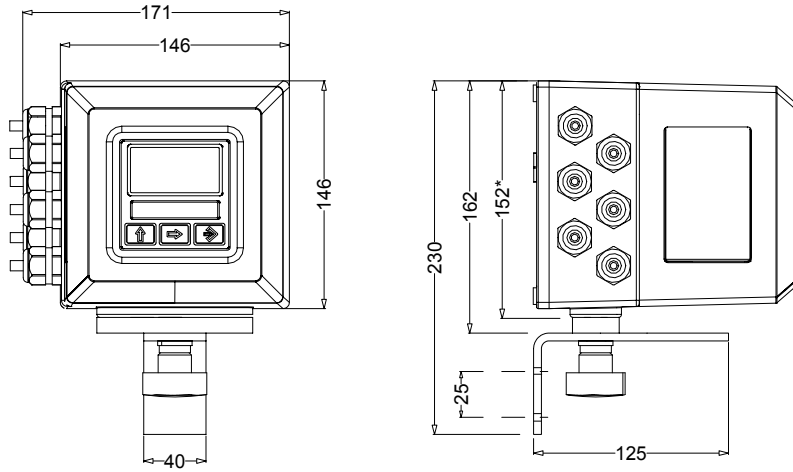


# OVERALL DIMENSIONS

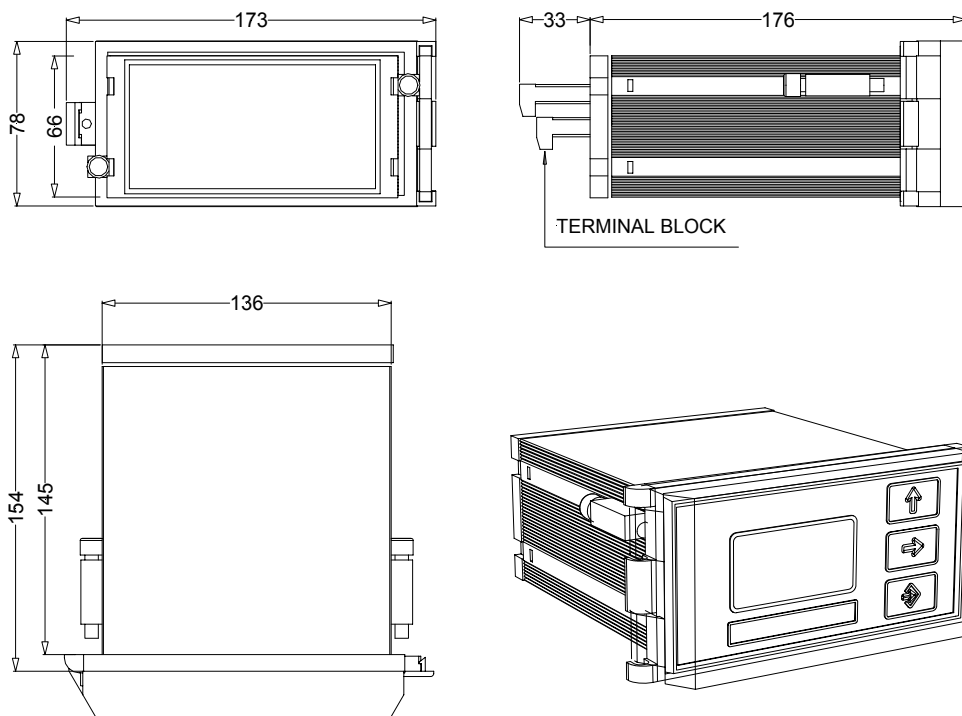
## COMPACT VERSION



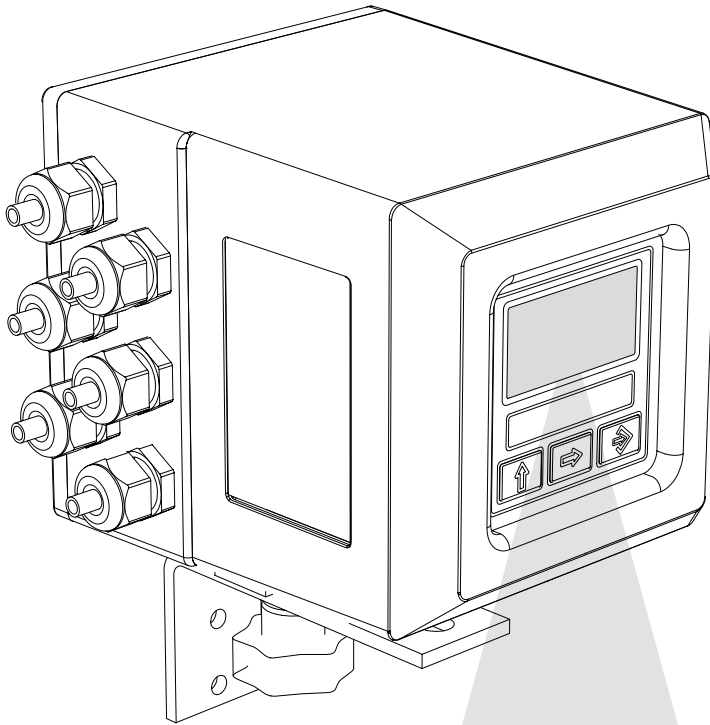
## SEPARATE VERSION



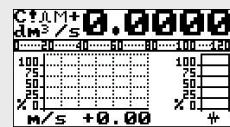
## PANEL VERSION



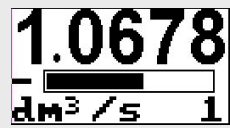
# VISUALIZATION PAGES



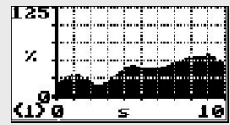
Flowrate and totalizes visualization



Flowrate, speed values and graph



Flowrate value and Full scale % graph



Flowrate graph

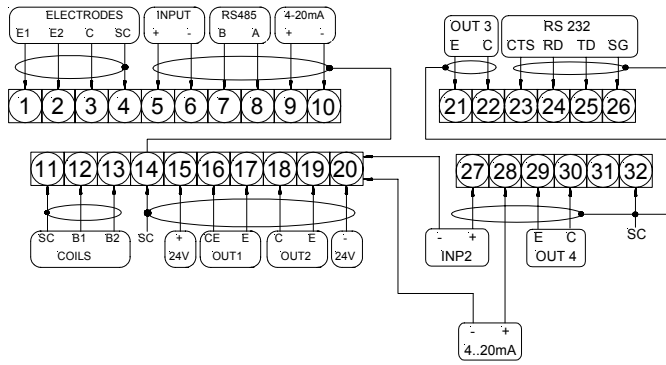
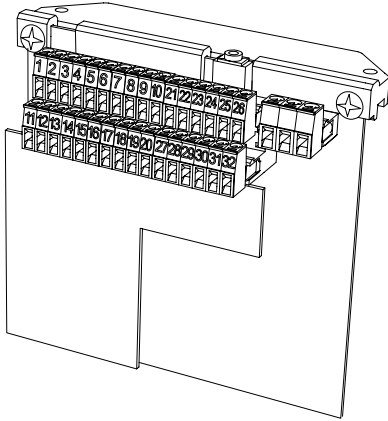


Flowrate value with currency function enabled

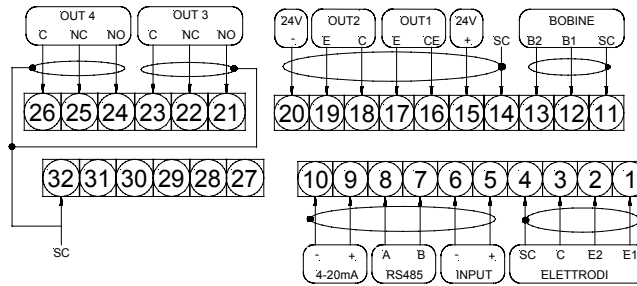
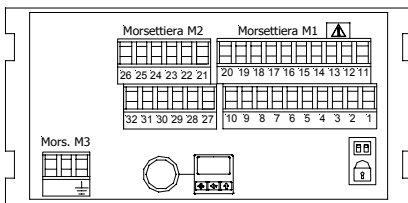
### Different possibilities of visualization with the simple key pressure

# ELECTRICAL CONNECTIONS

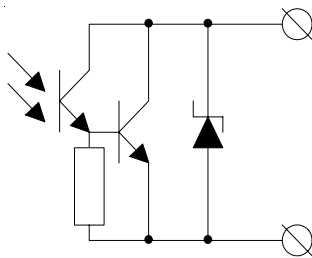
## TERMINAL BLOCK: COMPACT/SEPARATE VERSION



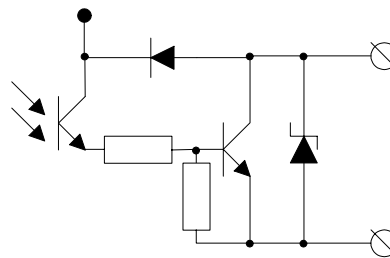
## TERMINAL BLOCK: PANEL VERSION



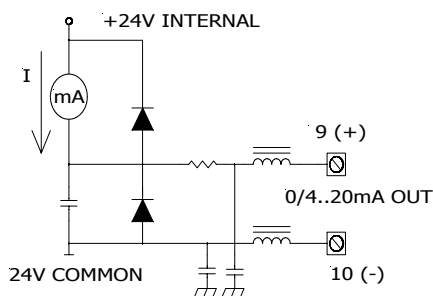
### ON/OFF STANDARD OUTPUT



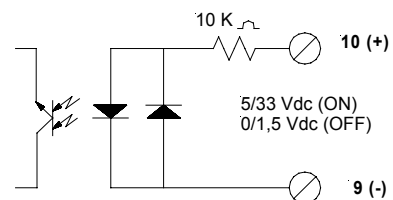
### ON/OFF HIGH FREQUENCY OUTPUT (OPZ.)



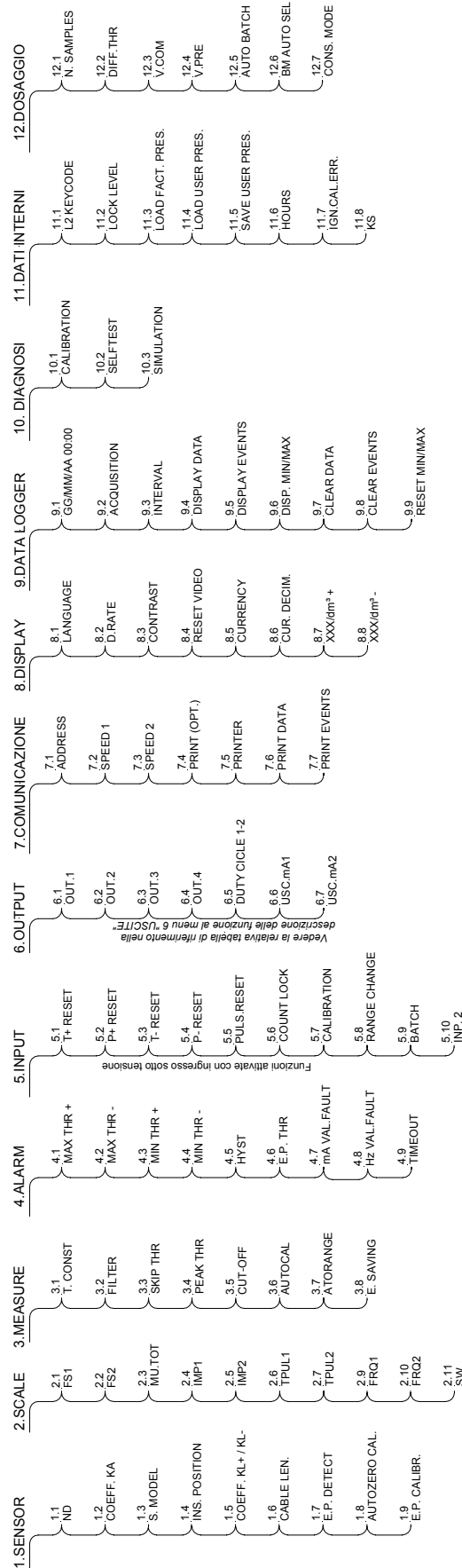
### STANDARD ANALOGIC OUTPUT



### STANDARD DIGITAL INPUT

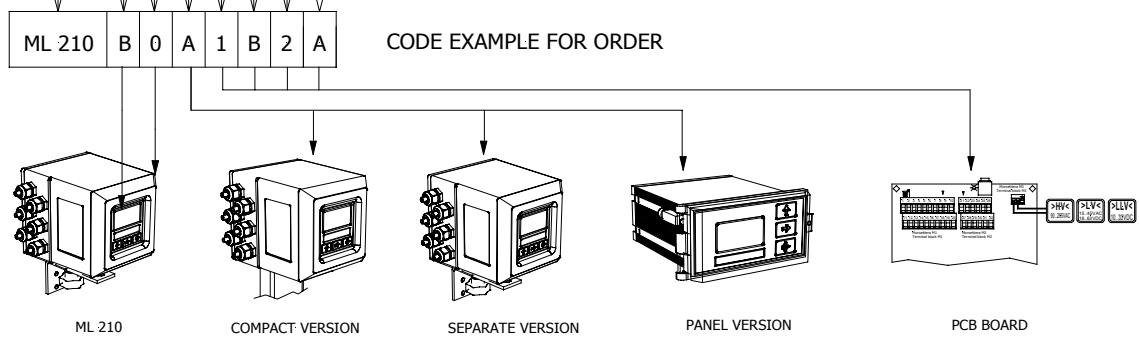


# FUNCTIONS



# HOW TO ORDER

<b>ML 210</b>	<b>Display</b>
<b>A</b>	Blind version without display and keyboard
<b>B</b>	Graphic LCD WSTN back light display execution, point matrix 128 x 64, 8 line each of 16 characters and 3 programming keys
<b>Housing material - Protection rate</b>	
<b>0</b>	Painted aluminum die casting (painted RAL6028) ,protection rate IP67
<b>1</b>	Aisi 304 Electro-polish
<b>2</b>	NORYL UL 94 V-0 black ( ONLY "F" VERSION ) IP 54
<b>3</b>	NORYL UL 94 V-0 BLACK ( ONLY "F" VERSION )+TRANSPARENT FRONTAL COVER IP 65
<b>Version</b>	
<b>A</b>	Compact version with sensor MS.... (liquid maximum temperature 100 °C)
<b>B</b>	Separate version for wall monting, complete with mounting accessories in Carbon Steel (painted RAL6028)
<b>F</b>	Separate version for front panel mounting according DIN 43700, complete with mounting accessories, dimensions 72 x 144 mm
<b>Power supply</b>	
<b>1</b>	Power supply : 90 ... 265 V 45/66 Hz
<b>2</b>	Power supply : 18...63 V dc / 15...45 V ac - 45...66 Hz
<b>3</b>	Power supply : 10 ... 35 V dc
<b>9</b>	Power supply : other
<b>Analogue output</b>	
<b>A</b>	Without Analogue output 0/4...20/22 mA
<b>B</b>	Analogue output 0/4...20/22 mA
<b>Serial Interface</b>	
<b>1</b>	Without Serial Interface
<b>2</b>	RS485 Serial Interface
<b>Additional module</b>	
<b>A</b>	Without additional module
<b>C</b>	ME200; n. 2 additional ON / OFF programmable output
<b>D</b>	ME201; n. 2 additional ON / OFF programmable output (one of them at 10 KHz frequency)
<b>E</b>	ME202; additional 0/4...20 mA + n.2 ON / OFF programmable output
<b>F</b>	ME203; n. 1 RS232 serial interface + n.2 additional ON / OFF programmable output , 2A - 60 Vca, 60W 125 VA)
<b>G</b>	ME204; n. 1 RS232 serial interface + additional 0/4...20 mA + n.2 ON / OFF program. output Vca, 60W 125 VA)
<b>P</b>	ME205; n. 2 relè output (each with 1 NO contact + 1 NC contact, 2A - 60 Vca, 60W 125 VA)
<b>T</b>	ME207; n. 2 relè output (each with 1 NO contact + 1 NC contact, 2A - 250 Vca, 60W 125 VA)
<b>H</b>	ME 100 : Profibus DP module
<b>M</b>	ME 220 : d. logger r. t. c. ; 128K record : F.R. ;tot.+/-; date/time )
<b>N</b>	ME 221 : d. logger r. t. c. ; 128 Krecord : F.R.;tot.+/-; date/time ; n° 1 RS 232
<b>O</b>	ME 222 : d. logger r. t. c. ; 128K record : F.R.;tot.+/-; date/time ; n° 1 RS 232 , n° 1 RS 485+1 A.I.
<b>Q</b>	ME 200 + ME 220
<b>R</b>	ME 201 + ME 220
<b>S</b>	ME 202 + ME 220
<b>U</b>	ME 203 + ME 220
<b>V</b>	ME 204 + ME 220
<b>B</b>	ME 206 + ME 220
<b>K</b>	ME 207 + ME 220
<b>X</b>	ME 200 + ME 221
<b>Y</b>	ME 201 + ME 221
<b>W</b>	ME 202 + ME 221
<b>Z</b>	Other



**In accordance with a continuous evolution of the Product, the company reserves the right to modify without warning the information contained in this document**