

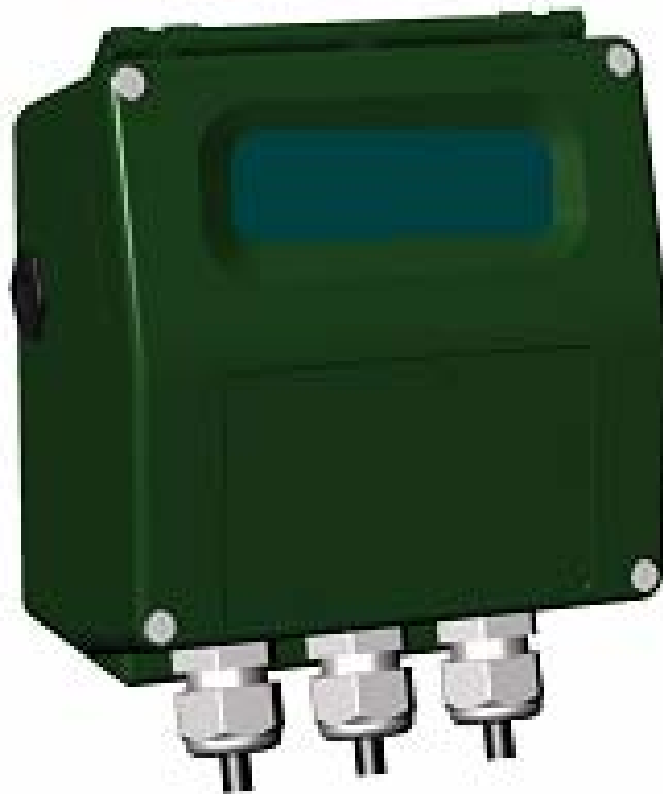
ISOMAG ™

THE FRIENDLY MAG METER

CONVERTER 4/20 mA Loop POWERED

CONVERTER

ML 51



Very compact converter supplied by 4/20 mA (two wire) ; digital output and input for pulses and alarm

The manufacturer only guarantees the English text.
Available on our web site: www.isoil.com

ISOIL 
INDUSTRIA

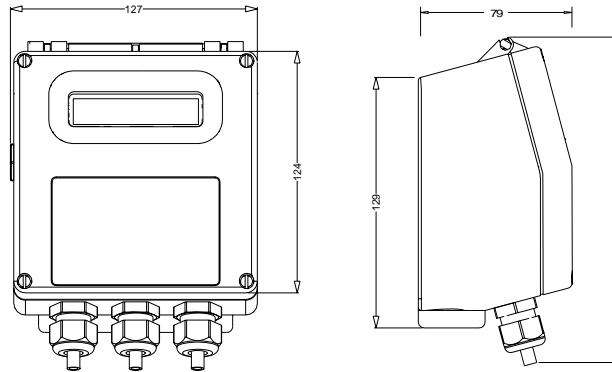
The solutions that count

TECHNICAL DATA

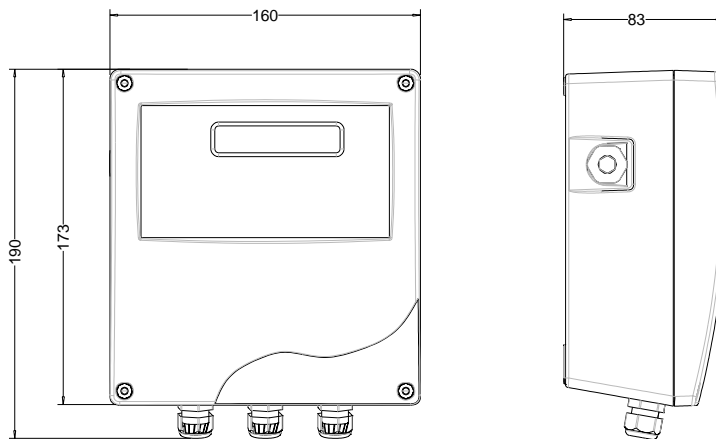
| | |
|----------------------------|---|
| Housing material | <input type="checkbox"/> Nylon PA6 with fiber of glass / IP 65/ (opt. Aluminum IP67) |
| Dimensions | <input type="checkbox"/> 127 X 124 X 79 |
| Connections | <input type="checkbox"/> N° 2 Cable gland PG 11 |
| Ambient Temperature | <input type="checkbox"/> 0... +50°C (Nylon) / -10....60°C (Aluminum) |
| Digital Output | <input type="checkbox"/> Programmable function (N° 1 , 50 Hz, 10mA, 40 Vdc) |
| Digital input | <input type="checkbox"/> Programmable function |
| Bi-directional | <input type="checkbox"/> Yes |
| FS value | <input type="checkbox"/> 0,4...10m/s |
| Diagnostic funct. | <input type="checkbox"/> Yes |
| Empty pipe detect. | <input type="checkbox"/> Yes |
| Programming plug in | <input type="checkbox"/> Protected plug in for the connection to PC or hand terminal |
| Data storage | <input type="checkbox"/> Eeprom values storing system in case of power failure |
| CE certification | <input type="checkbox"/> Instrument with CE certificate <input type="checkbox"/> class I, IP 65, category of installation II |
| Power supply | <input type="checkbox"/> 4/20 mA current loop (19 – 33 Vdc)/12 V-13 mA (4/20 disable) |
| Accuracy | <input type="checkbox"/> Flow Rate (Volume) = $\pm 0,5 \%$ o.r. |
| Repeatability | <input type="checkbox"/> better than $\pm 0,5 \%$ |
| Coupling with | <input type="checkbox"/> All MS sensors up to DN 1000 |

OVERALL DIMENSIONS

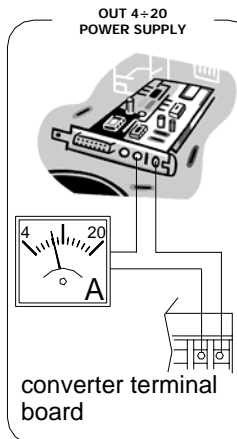
Nylon



Aluminium

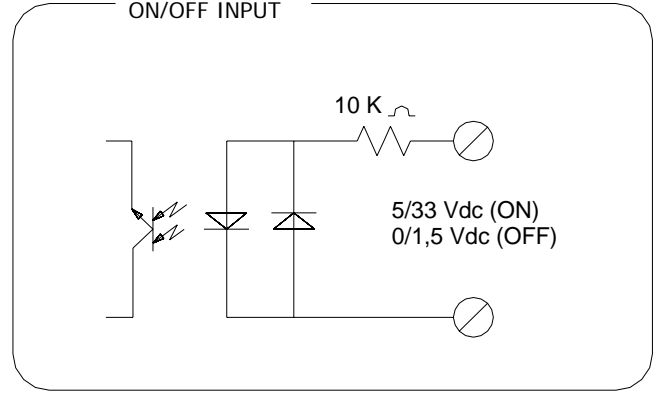
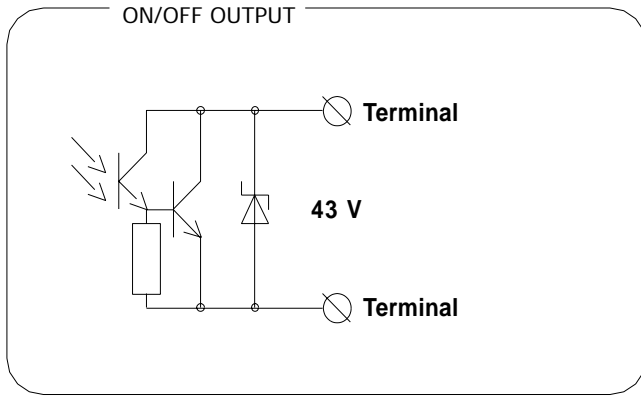


POWER SUPPLY

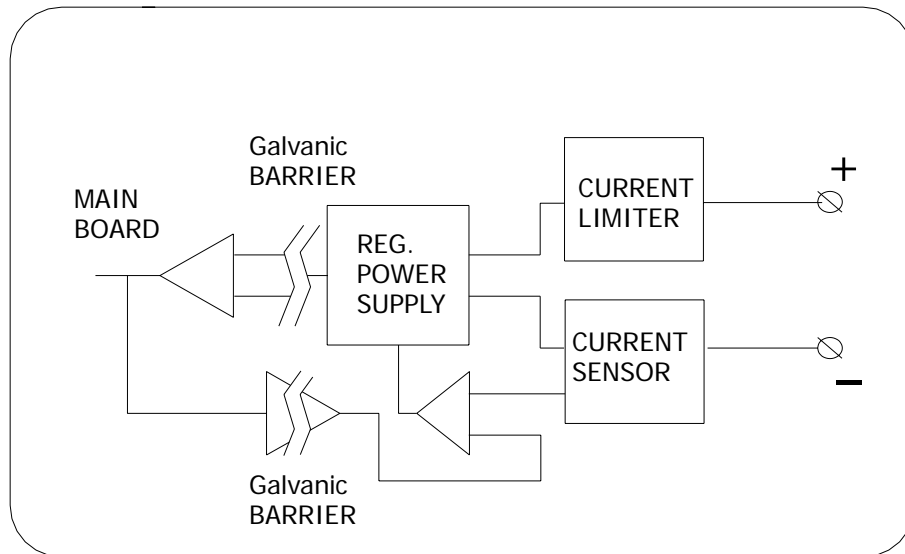


Scheme of power supply connections

DIGITAL INPUT/OUTPUT



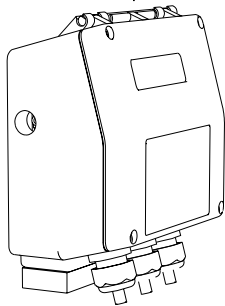
SUPPLY INPUT / ANALOG OUTPUT



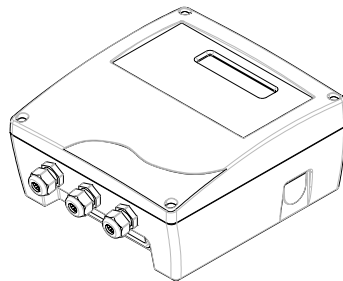
HOW TO ORDER

| | |
|-------|--|
| ML 51 | Display |
| | A Blind version without display and keyboard |
| | Housing material - Protection rate |
| | 1 Nylon PA6 with fiber of glass / IP 65 |
| | 2 Painted aluminum die casting, protection rate IP67 |
| | Version |
| | A Compact version with sensor MS..... (liquid maximum temperature 100 °C) |

| | | | |
|-------|---|---|---|
| ML 51 | A | 1 | A |
|-------|---|---|---|



Nylon



Aluminum

In accordance with a continuous evolution of the product, the company reserves the right to modify without warning the information contained in this document