

ISOMAG ™  
THE FRIENDLY MAG METER

CONVERTER

ML3-F1



**HIGH SAMPLING RATE CONVERTER  
(UP TO 400 SAMPLING/SECOND)**

**FAST CONVERTER**

The manufacturer guarantees only English text.  
Available on our web site: [www.isoil.com](http://www.isoil.com)

ISOIL   
INDUSTRIA

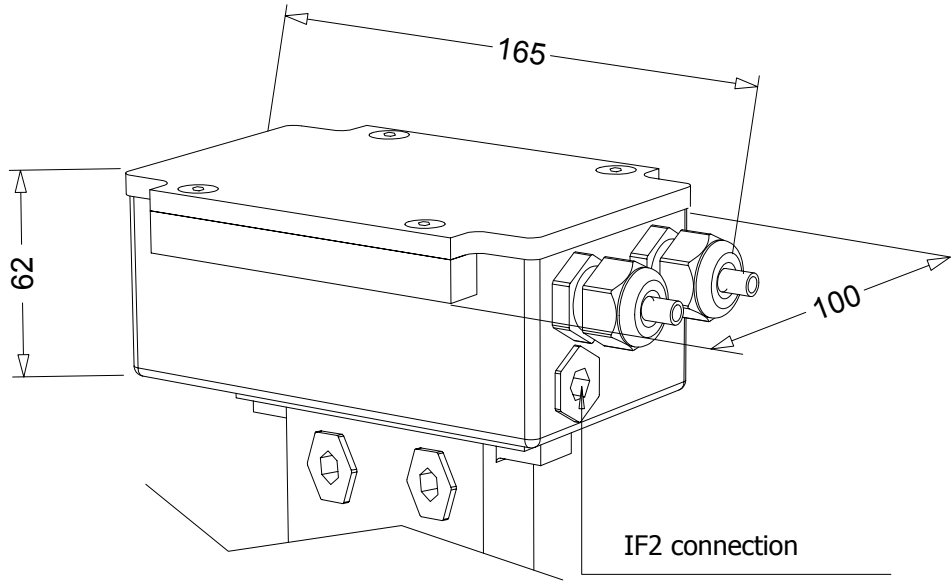
*The solutions that count*

## TECHNICAL DATA

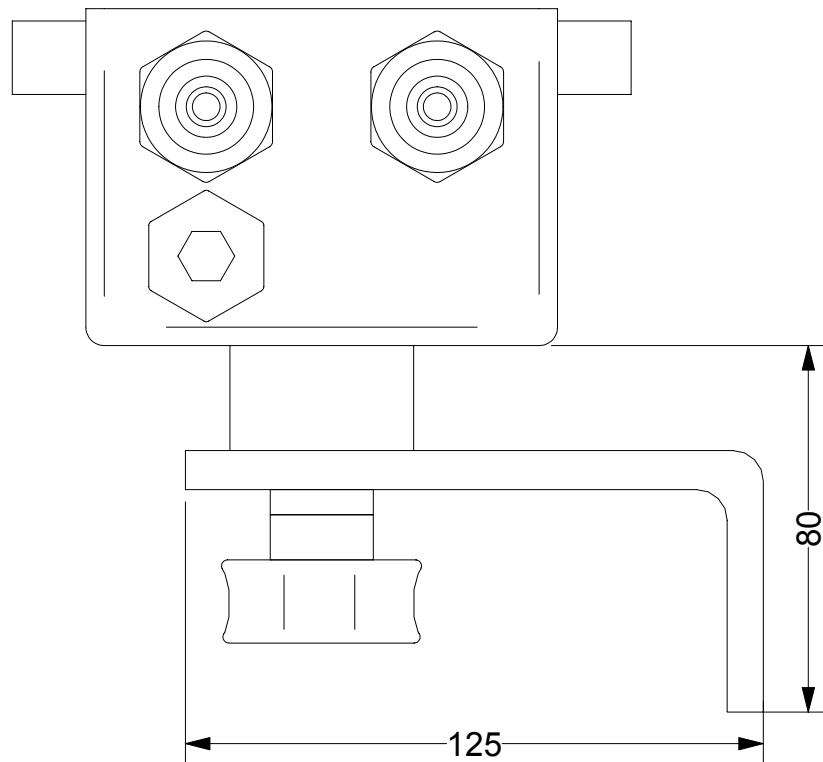
<b>Material Box</b>	<input type="checkbox"/>	<b>Stainless steel AISI 304</b>
<b>Dimension</b>	<input type="checkbox"/>	<b>75 X 140 X 60 mm</b>
<b>Protection Rate</b>	<input type="checkbox"/>	<b>IP 67</b>
<b>Cable Gland</b>	<input type="checkbox"/>	<b>N° 2 PG 11</b>
<b>Amb. Temperature</b>	<input type="checkbox"/>	<b>- 20... +60°C</b>
<b>Pulse/Frequency Output</b>	<input type="checkbox"/>	<b>1250 Hz (standard), 12,5 KHz ( OPTIONAL ), 100mA, 40 Vdc</b>
<b>Current Output</b>	<input type="checkbox"/>	<b>(OPTIONAL) 4...20mA – RL 800Ω passive</b>
<b>Digital Input</b>	<input type="checkbox"/>	<b>Programmable function</b>
<b>Outputs</b>	<input type="checkbox"/>	<b>1 o.c. + 1 OPT. (Programmable function)</b>
<b>Bi-Directional</b>	<input type="checkbox"/>	<b>Yes</b>
<b>FS Value</b>	<input type="checkbox"/>	<b>0,4...10m/s</b>
<b>Communication Interface</b>	<input type="checkbox"/>	<b>RS 485 (RS232 Opt.) / Profibus DP ( Opt.)</b>
<b>Diagnostic Funct.</b>	<input type="checkbox"/>	<b>Yes</b>
<b>Empty Pipe Detect.</b>	<input type="checkbox"/>	<b>Yes</b>
<b>Galvanic Isolation</b>	<input type="checkbox"/>	<b>All the inputs/utputs are galvanically insulated from power supply</b>
<b>Data Storage</b>	<input type="checkbox"/>	<b>Eeprom stored measuring values on power failure</b>
<b>Programming Plug In</b>	<input type="checkbox"/>	<b>Protected plug in for connection to PC or hand terminal</b>
<b>Batch Function</b>	<input type="checkbox"/>	<b>Yes, also with auto-preset</b>
<b>CE Certification</b>	<input type="checkbox"/>	<b>Instrument with CE certificate</b>
<b>Measurement Tolerance</b>	<input type="checkbox"/>	<b>Flow rate (volume) = ±0,05% r.v.</b>
	<input type="checkbox"/>	<b>Out 4/20 mA = ± 0,08 % r.v.</b>
	<input type="checkbox"/>	<b>Frequency Out = ± 0,08% r.v.</b>
<b>Repeatability</b>	<input type="checkbox"/>	<b>Better than 0,01%</b>
<b>Power Supply</b>	<input type="checkbox"/>	<b>10 ... 33 VDC</b>

## OVERALL DIMENSIONS

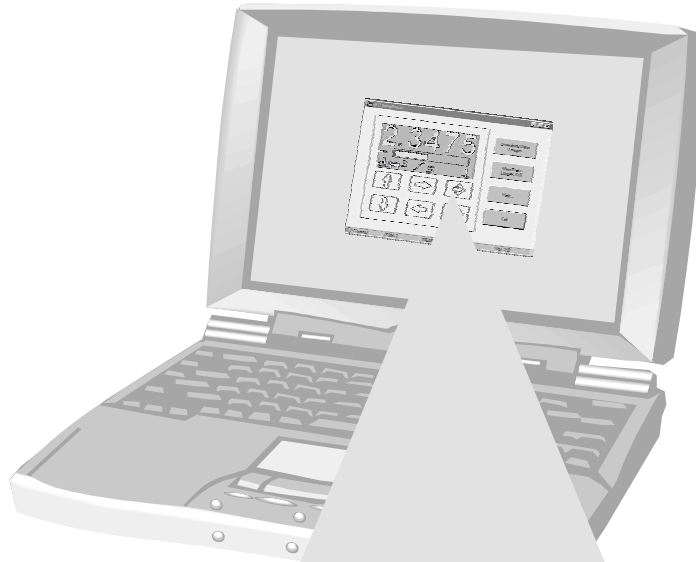
### COMPACT VERSION



### SEPARATE VERSION



# VISUALIZATION PAGES

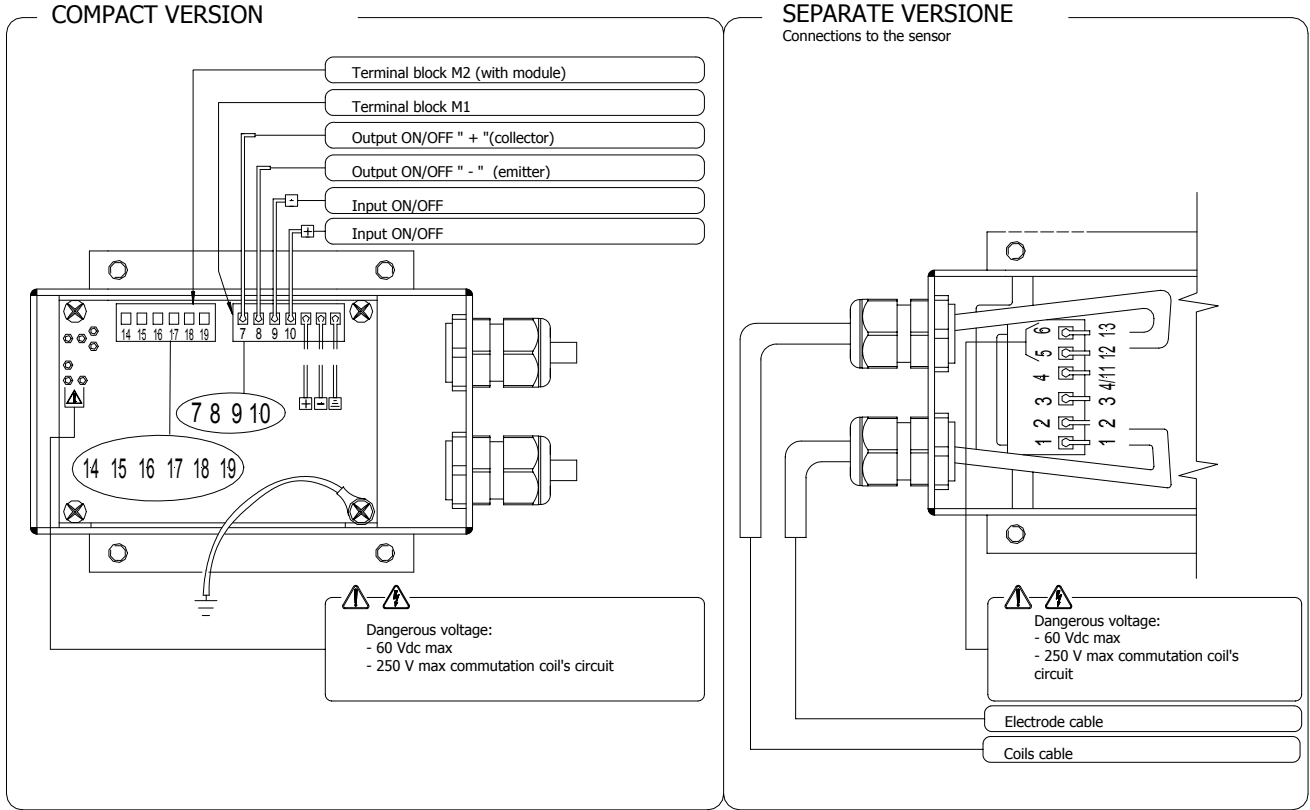


→	dm <sup>3</sup> /s +0.0000 ! +0.00%-----	Flow rate value
→	T+dm <sup>3</sup> 56.043 P+dm <sup>3</sup> 271013.447	Totalized values
→	dm <sup>3</sup> /s +0.000 !1 P+dm <sup>3</sup> ! .000	Direct and reverse totalize
→	dm <sup>3</sup> /s +0.168 1 m/s 0.92-----	Flowrate and speed of media
→	=====> <=====	Alternate visualization of data
↑	01/01/00 00:00* PORTATA>FS	Alarm ON visualization

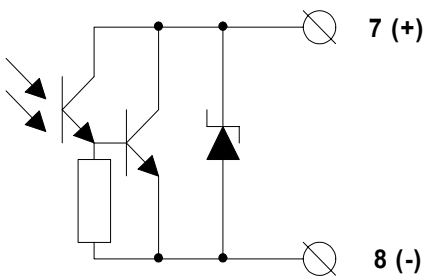
**Different possibilities of visualization with the simple pressure of a key**

# ELECTRICAL CONNECTION

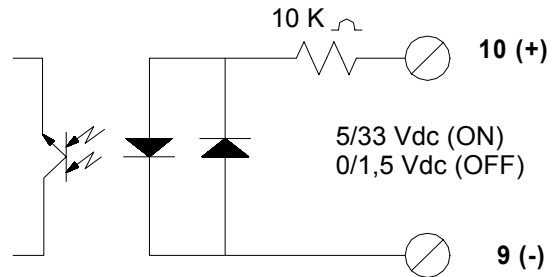
## COMPACT/SEPARATE TERMINAL BLOCK VERSION



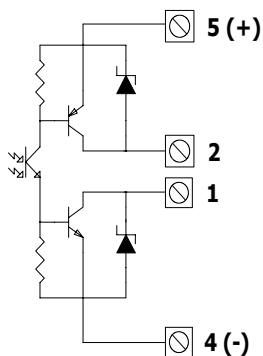
### ON/OFF STANDARD OUTPUT



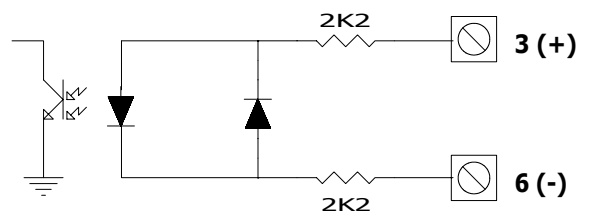
### ON/OFF STANDARD INPUT



### ON/OFF OPTIONAL OUTPUT



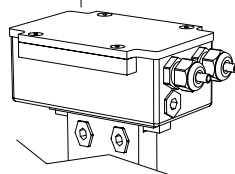
### ON/OFF OPTIONAL INPUT



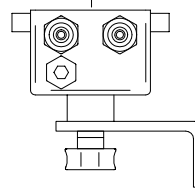
## HOW TO ORDER

<b>ML 3F1</b>	<b>Display</b>
<b>A</b>	Blind execution (without display and programming keys)
<b>Housing material - Protection rate</b>	
<b>1</b>	AISI304 Stainless Steel housing, protection rate IP67
<b>Version</b>	
<b>A</b>	Compact version with sensor MS.... (liquid maximum temperature 130 °C)
<b>B</b>	Separate version with Aisi 304 accessories , max distance 1 m
<b>Additional module</b>	
<b>0</b>	Without additional module
<b>1</b>	ME 31 : 2° out on/off high frequency ( 12.500 Hz )
<b>2</b>	ME 32 : out 4/20
<b>3</b>	Profibus PA module /under preparation
<b>4</b>	ME 32 : Profibus DP module
<b>5</b>	ME 33 : RS 485 communication module

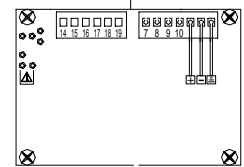
**ML 3F1    A    1    A    0**



COMPACT VERSION



SEPARATE VERSION



PCB BOARD

**In accordance with a continuous evolution of the Product, the company reserves the right to modify without warning the information contained in this document**