

ISOMAG ™

THE FRIENDLY MAG METER

CONVERTER

ML 110



STANDARD CONVERTER

ALFANUMERICAL DISPLAY CONVERTER

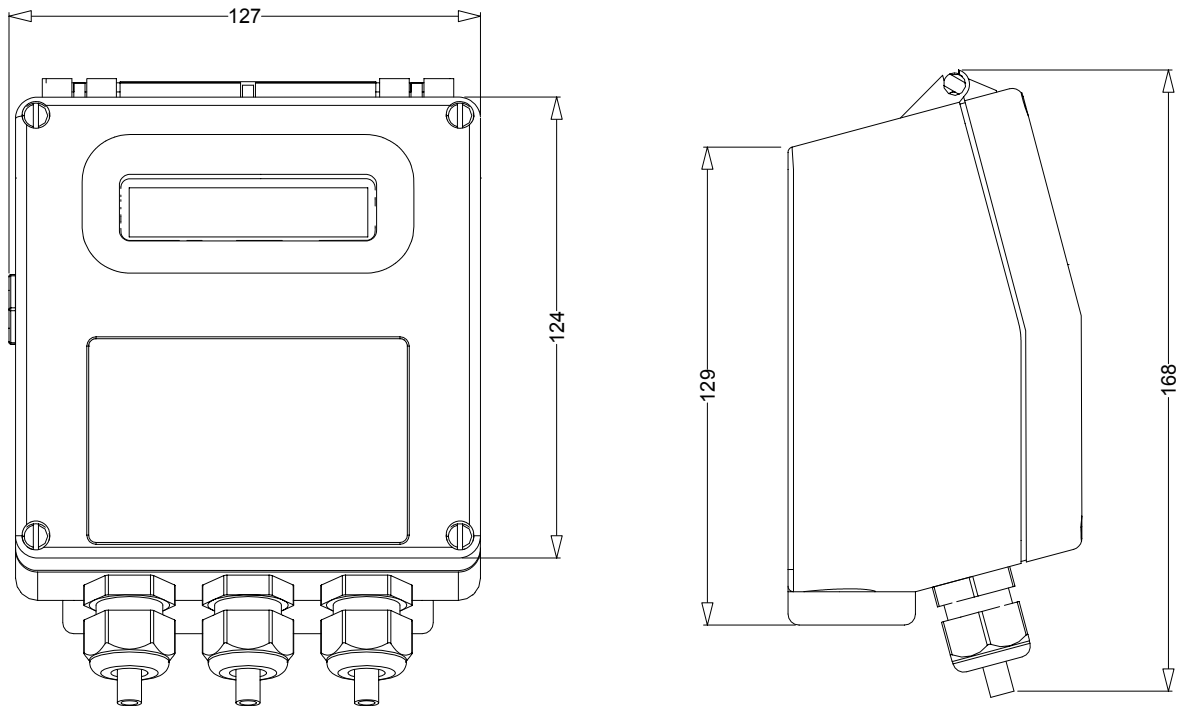
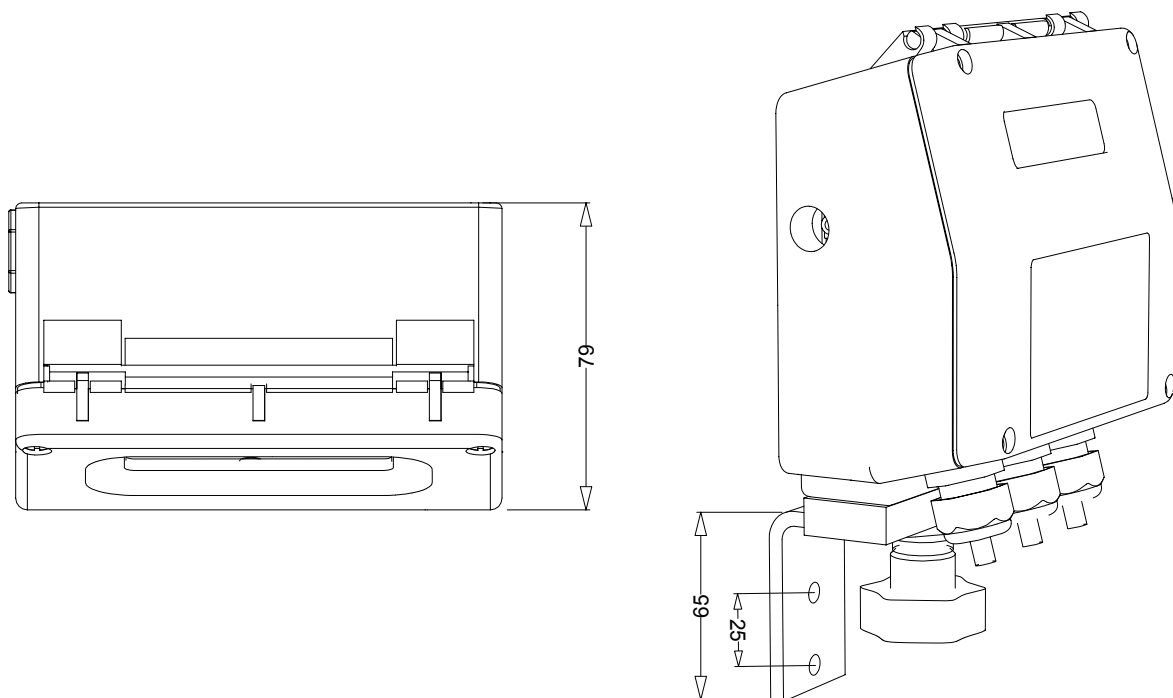
The manufacturer guarantees only English text.
Available on our web site: www.isoil.com

ISOIL 
INDUSTRIA

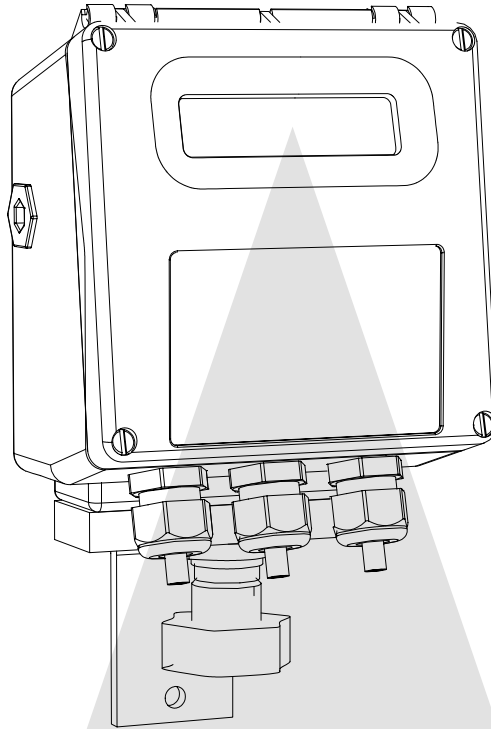
The solutions that count

TECHNICAL DATA

Housing Material	<input type="checkbox"/>	Nylon with fiber glass
Dimensions	<input type="checkbox"/>	120 X 120 X 55 mm
Protection rate	<input type="checkbox"/>	IP 65
Connection sensor cable/Cable gland	<input type="checkbox"/>	C018 cable (MAX 20 m) / Standard N° 3 PG 11
Ambient Temperature	<input type="checkbox"/>	0...+50°C
LCD Display	<input type="checkbox"/>	Alphanumerical display 16 characters x 2 lines not back light
Programming key board	<input type="checkbox"/>	3 internal keys
Pulse/frequency/alarm output	<input type="checkbox"/>	programmable function max 1250 Hz, 100mA, 40 Vdc
Current output	<input type="checkbox"/>	N°1 0/4...20mA – RL 800Ω
Bi-directional	<input type="checkbox"/>	Yes
FS value	<input type="checkbox"/>	0,4...10m/s
Diagnostic functions	<input type="checkbox"/>	Yes
Empty pipe detect.	<input type="checkbox"/>	Yes
Galvanic isolation	<input type="checkbox"/>	All the outputs are galvanically isolated from power supply
Data storage	<input type="checkbox"/>	EEPROM stored measuring values on power failure
Programming plug in	<input type="checkbox"/>	Protected plug in for connection to PC or hand terminal
CE certification	<input type="checkbox"/>	Instrument with CE certificate
Measurements tolerance	<input type="checkbox"/>	Flow rate (volume) = ±0,1% v.l.
	<input type="checkbox"/>	Out 4/20 mA = ± 0,12 % v.l.
	<input type="checkbox"/>	Frequency Out = ± 0,12% v.l.
Repeatability	<input type="checkbox"/>	+/- 0,2 %
Power supply	<input type="checkbox"/>	90÷265 Vac – 45÷66 Hz; 10÷63Vdc/15÷45 Vac-45÷66Hz;
Consumption	<input type="checkbox"/>	5 VA 4 VA (AC) / 3 W max (DC)

OVERALL DIMENSIONS**COMPACT VERSION****SEPARATE VERSION**

VISUALIZATION PAGES

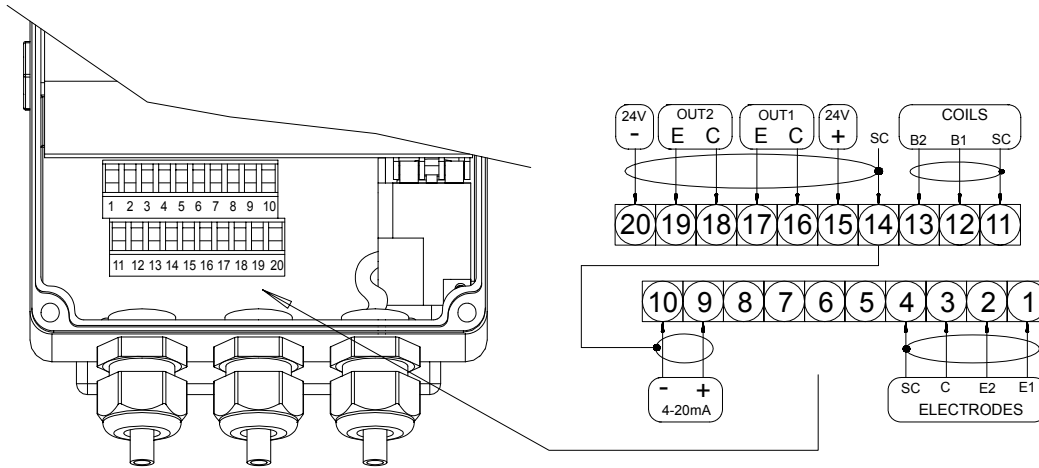


→	dm^3/s +0.0000 ! +0.00%-----	Flow rate value
→	T+ dm^3 56.043 P+ dm^3 271013.447	Totalizer values
→	dm^3/s +0.000 !1 P+ dm^3 ! .000	Direct and reverse totalizer
→	dm^3/s +0.168 1 m/s 0.92-----	Flowrate and speed of media
→	. =====> <=====	Alternate visualization of data
↑	01/01/00 00:00* PORTATA>FS	Alarm ON visualization

Different possibilities of visualization with the simple pressure of a key

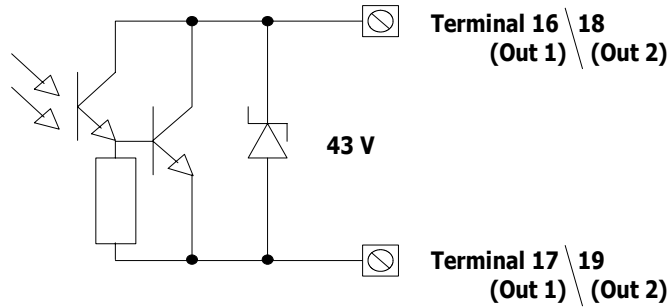
ELECTRICAL CONNECTIONS

TERMINAL BLOCK VIEW



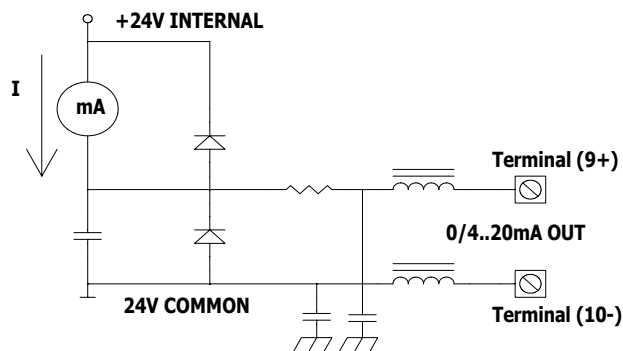
ON/OFF OUTPUT

ON/OFF OUTPUT

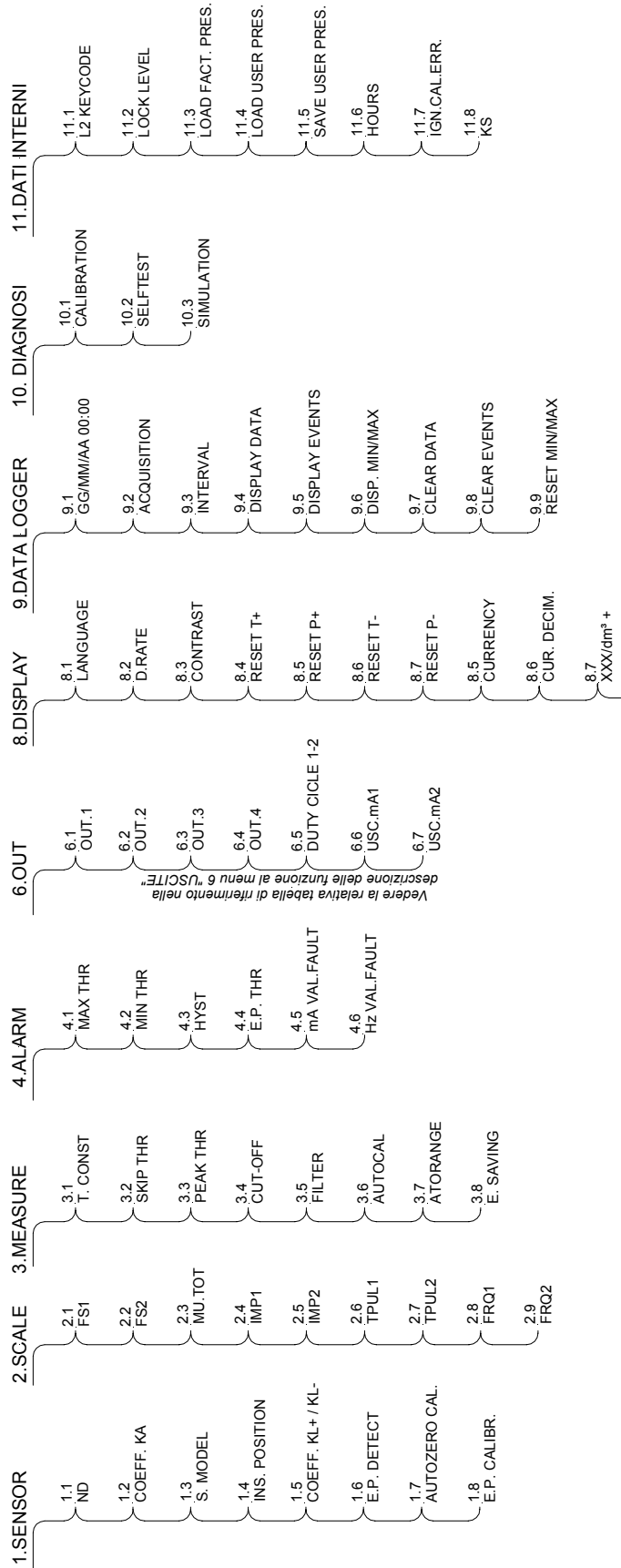


ANALOG OUTPUT

ANALOG OUTPUT



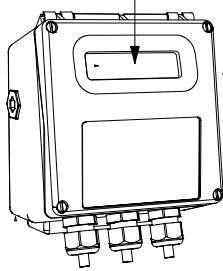
FUNCTIONS



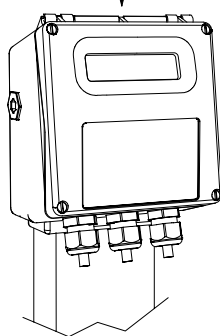
HOW TO ORDER

ML 110	Display
A	Blind execution (without display and programming keys)
B	Complete with 2 line back light display (each of 16 characters) and 3 programming keys
Housing material - Protection rate	
0	Nylon with glass fiber (IP 65)
Version	
A	Compact version with sensor MS... (liquid maximum temperature 100 °C)
B	Separate version for wall mounting, complete with mounting accessories (C018 CABLE)
Power supply	
1	Power supply : 90 ... 265 V 45/66 Hz
2	Power supply : 18...63 V dc / 15...45 V ac - 45...66 Hz
9	Power supply : other
Analogue output	
A	Without analogue output
B	Analogue output 0/4...20/22 mA

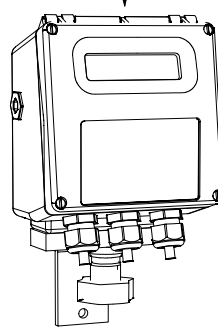
ML 110 A 0 A 1 A EXAMPLE OF CODE FOR ORDER



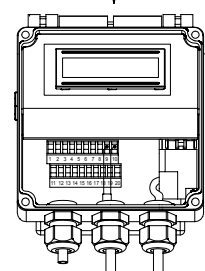
ML 110



COMPACT VERSION



SEPARATE VERSION



INTERNAL VIEW

Uscita / output 0/4...20/22 mA >HV< 0-250°C >LV< 0-500°C

In accordance with a continuous evolution of the product, the company reserves the right to modify without warning the information contained in this document