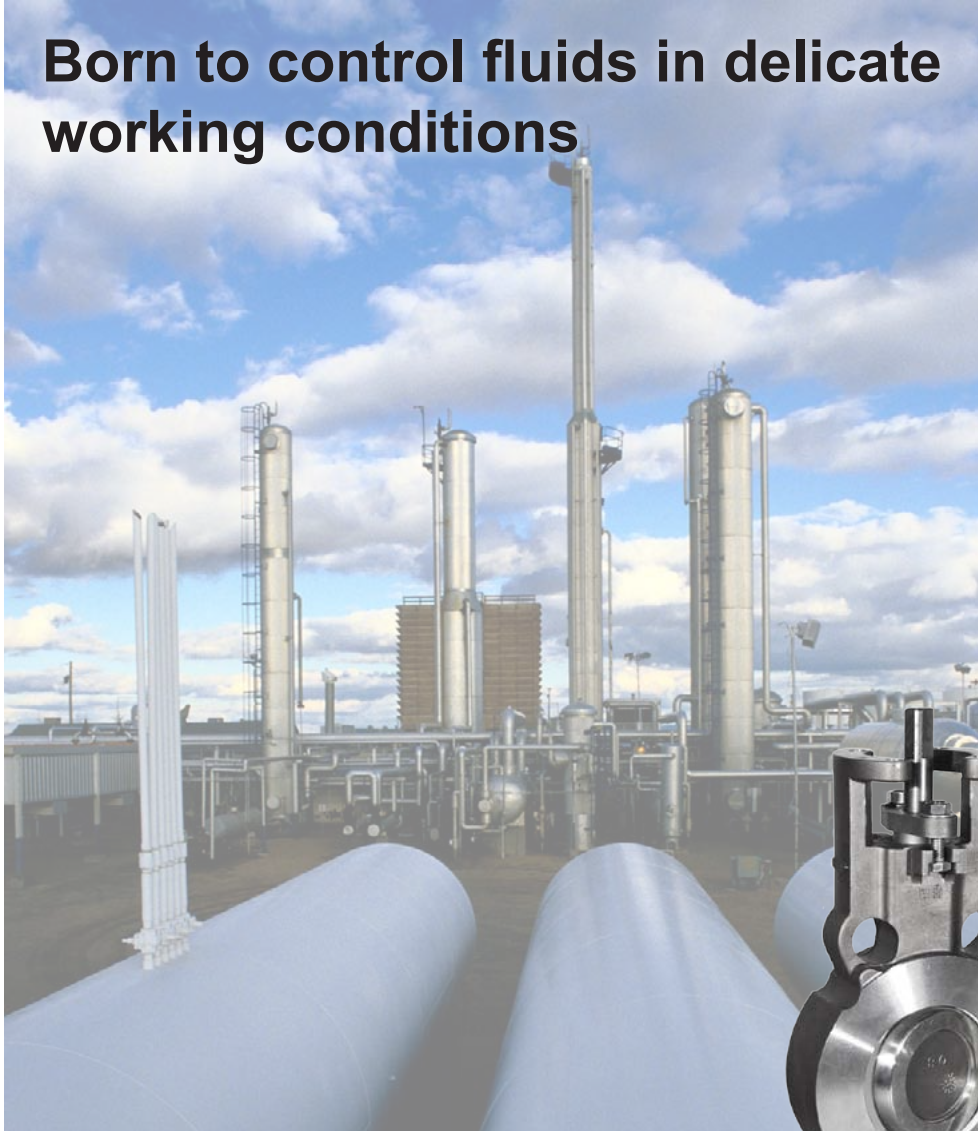




InterApp IA[®]

Born to control fluids in delicate working conditions



High performance butterfly valve
Plastomer and metal seated

ELARA





FLUIDS UNDER CONTROL

InterApp AG
Grundstrasse 24
CH-6343 Rotkreuz
Switzerland

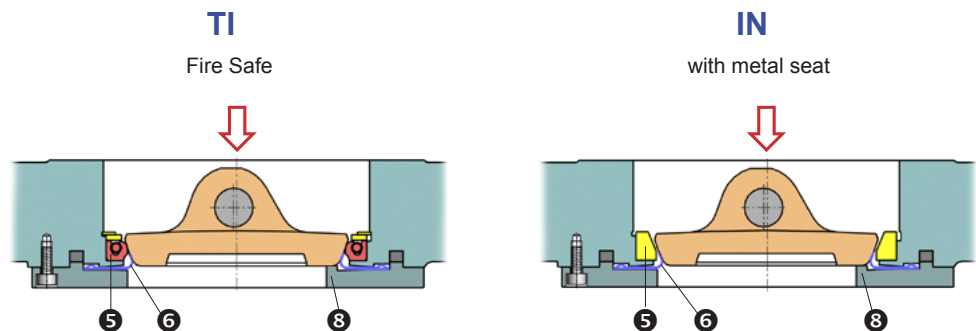
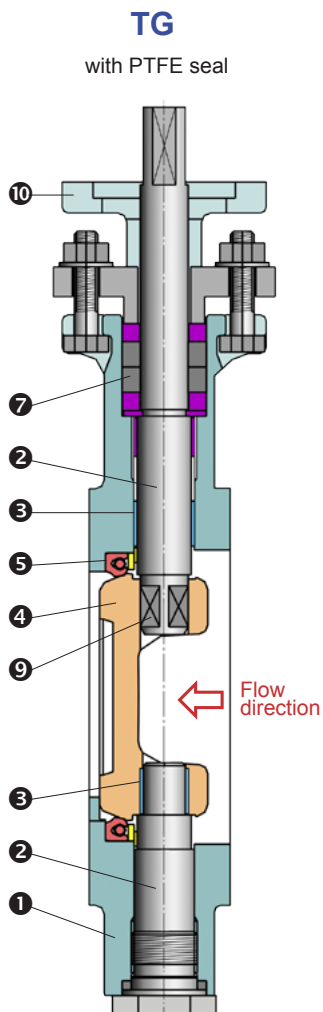
Tel. +41 (0)41 798 22 33
Fax +41 (0)41 798 22 34
<http://www.interapp.net>
info@ch.interapp.net

ELARA Butterfly valve DN50-400

• Characteristics:

ELARA	Double eccentric butterfly valve in 3 variations of sealing TG with PTFE seat TI Fire Safe (PTFE+metal seat) IN with metal seat	
Application fields	industrial and petrochemical range	
Body construction	E1C Wafer DN 50-400 	E3C LUG DN 50-400 
Face to face dimension	according to ISO 5752/20, EN558-1/5, BS 5155/4	
Top flange	according to EN ISO 5211	
Max. working pressure	50 bar (DN50-100), 25 bar (DN125-200), 20 bar (DN250-400)	
Rating	DN 50-100	PN10, PN16, PN25, PN40, ANSI cl. 150, ANSI cl. 300
	DN125-400	PN10, PN16, PN25, ANSI cl. 150
Temperature range	with PTFE seat	-50°C + 200°C
	with metal seat	-100°C + 500°C
CE	The butterfly valves ELARA meet the safety requirements of the pressure Equipments Directive 97/23/EC (PED) appendix 1 for fluids of the groups 1 and 2	
Ex/ATEX option	Actuator IP67, standard in compliance with ATEX 94/9/EC	

• Construction:



		Cast steel 1.0625, A216WCB cataphoresis coated (black)	Stainless steel 1.4408, A351CF8M
1	Body made of investment casting. Thus compact and light weighted	TG, TI, IN	
2	2-piece shaft	TG, TI, IN	Stainless steel 1.4021
3	Shaft bearing	TI, IN	1.4404 nickel plated
		TG	GFK (IGLIDUR X)
4	Disc	TG, TI, IN	Stainless steel 1.4408, A351CF8M
5	Seat	TG, TI	PTFE + 25% glass fibre
		IN	Stainless steel 1.4404
6	Seat ring	TI, IN	Inconel 718
7	Packing	TG, TI, IN	Graphite
8	Mechanical travel stop of the disc in the closed position		
9	Disc is driven by a square		
10	The construction of the top flange allows a good thermal isolation, without using mounting brackets		

FLUIDS UNDER CONTROL

InterApp AG
 Grundstrasse 24
 CH-6343 Rotkreuz
 Switzerland

Tel. +41 (0)41 798 22 33
 Fax +41 (0)41 798 22 34
<http://www.interapp.net>
info@ch.interapp.net

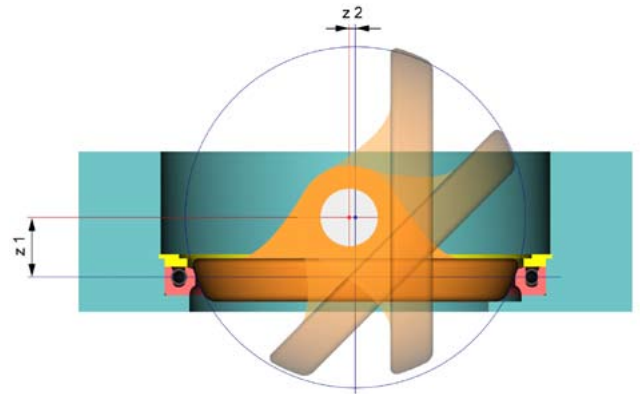
ELARA Butterfly valve DN50-400

● Double eccentric function:

The ELARA is a double eccentric butterfly valve. The double eccentricity results from

- Offset of the disc to the shaft (z 1) and
- Offset of the disc centre to the shaft (z 2).

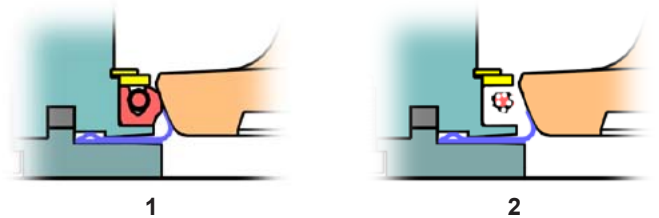
Consequently, when opening, the disc is immediately disengaged from the seat and thus, the friction and the torque remain very low.



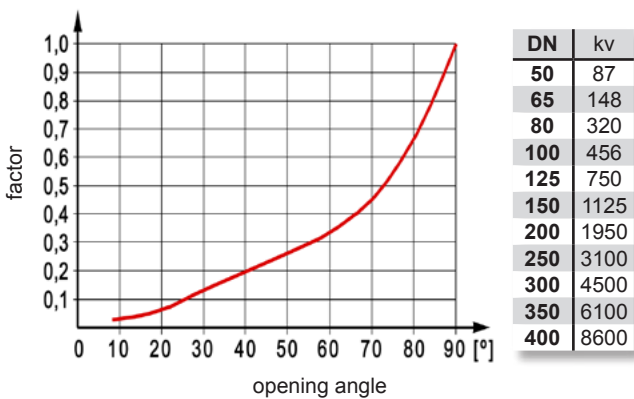
● Fire Safe function:

According to BS 6755 part 2
(Bureau Veritas - approval no. AIX3P00.0620J.3A)
E1 wafer type is Fire Safe designed, but without Fire Safe certification.

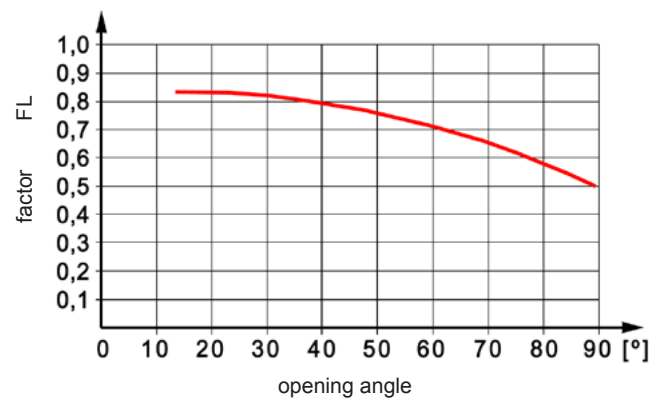
- 1 Under normal working conditions, the tightness is done by the **PTFE seat ring**.
- 2 In case of fire, the PTFE seat ring is destroyed and the tightness is ensured by the **Inconel seat ring**.



● Flow values k_v [m³/h]:



● Liquid pressure recovery factor FL:



● Torques [Nm]:

TG with PTFE seal

DN	≤ 16 bar	≤ 25 bar	≤ 50 bar
50	25	30	35
65	35	40	45
80	40	45	60
100	55	65	85
125	105	120	
150	140	160	
200	220	260	
250	320	320	
300	400	400	
350	1000	1000	
400	1900	1900	

TI Fire Safe

IN with metal seat

DN	≤ 25 bar	≤ 50 bar
50	50	50
65	70	70
80	100	100
100	150	150
125	220	
150	290	
200	380	
250	750	
300	1050	
350	1350	
400	2200	

FLUIDS UNDER CONTROL

InterApp AG
Grundstrasse 24
CH-6343 Rotkreuz
Switzerland

Tel. +41 (0)41 798 22 33
Fax +41 (0)41 798 22 34
<http://www.interapp.net>
info@ch.interapp.net

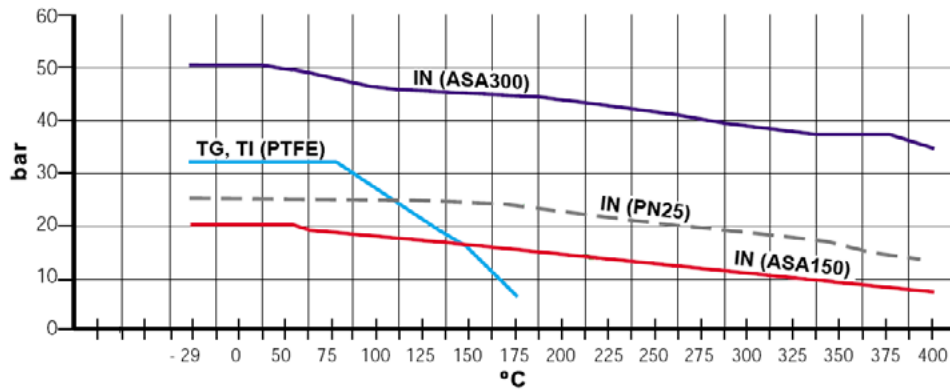
ELARA Butterfly valve DN50-400

● Tightness:

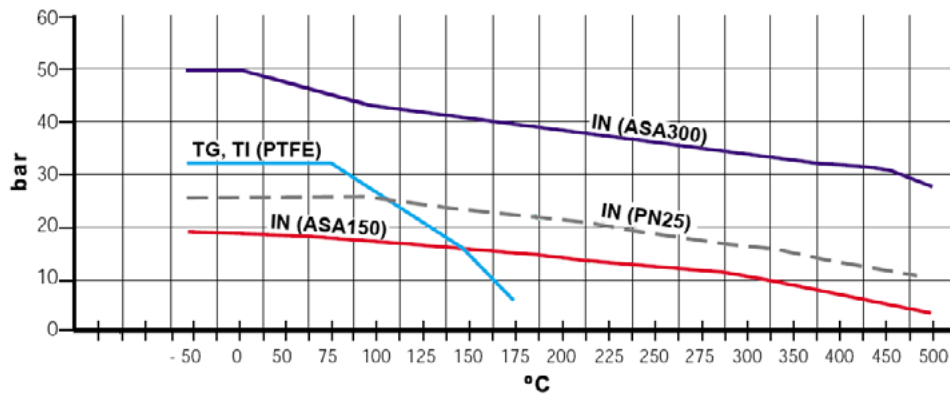
- PTFE seat (code TG) and Fire Safe (code TI): Gas tightness according to EN 12266-1/P12 leakage rate A
- Inconel seat (code IN): Gas tightness according to DIN3230 leakage rate 3

● Pressure / temperature:

Steel body (3HD)



Stainless steel body (4C0)



Other working conditions on request.

T < 250°C : Mounting of actuator **without** neck extension

T > 250°C : Mounting of actuator **with** neck extension

FLUIDS UNDER CONTROL

InterApp AG
 Grundstrasse 24
 CH-6343 Rotkreuz
 Switzerland

Tel. +41 (0)41 798 22 33
 Fax +41 (0)41 798 22 34
<http://www.interapp.net>
info@ch.interapp.net

ELARA Butterfly valve DN50-400

• Code key:

E1C **150** . **55** - **3HD** . **4A** . **4C0** . **TG** - **ATEX**
 ① ② ③④ ⑤ ⑥ ⑦ ⑧ ⑨

① Body type	E1C	Wafer	DN 50-400
	E3C	LUG body	DN 50-400
② Nominal diameter	050-400 mm		
③ Working pressure	2	10 bar	DN 50-400
	3	16 bar	DN 50-400
	4	20 bar	DN 50-400
	5	25 bar	DN 50-200
	6	40 bar	DN 50-100
	7	50 bar	DN 50-100
④ Rating for E1C (Wafer)	for E1C (Wafer) DN50-200		
	5	PN 10 / 16 / 25 / ANSI cl.150	DN 125-200
	6	PN 10 / 16 / 25 / 40 / ANSI cl.150 / ANSI cl.300	DN 50-100
	for E3C (LUG) DN50-400 + E1C (Wafer) DN250-400		
	2	PN 10	DN 200-400
	3	PN 10 / 16	DN 50-150
		PN 16	DN 200-400
	A	ANSI cl.150	DN 50-400
	5	PN 25	DN 125-400
	6	PN 25 / PN 40	DN 50-100
B	ANSI cl.300 (~50bar)	DN 50-100	
⑤ Body	3HD	Cast steel 1.0625, A216WCB, cataphoresis coated	
	4C0	Stainless steel 1.4408, A351CF8M	
⑥ Shaft	4A	Stainless Steel 1.4021 (with cast steel body 3HD)	
	4T	Uranus 45N (with stainless steel body 4C0)	
⑦ Disc	4C0	Stainless Steel 1.4408, A351CF8M	
⑧ Seat	TG	PTFE with 25% glass fibre	DN 50-400
	TI	Fire Safe	DN 50-400
		PTFE with 25% glass fibre + seat ring Inconel 718 tempered	
IN	Inconel 718 tempered	DN 50-400	
⑨ ATEX option	ATEX	Execution according to ATEX 94/9/EC	

Mounting the valve at the end of a line on request

Pressure and temperature limits of application are dependent of the working conditions.

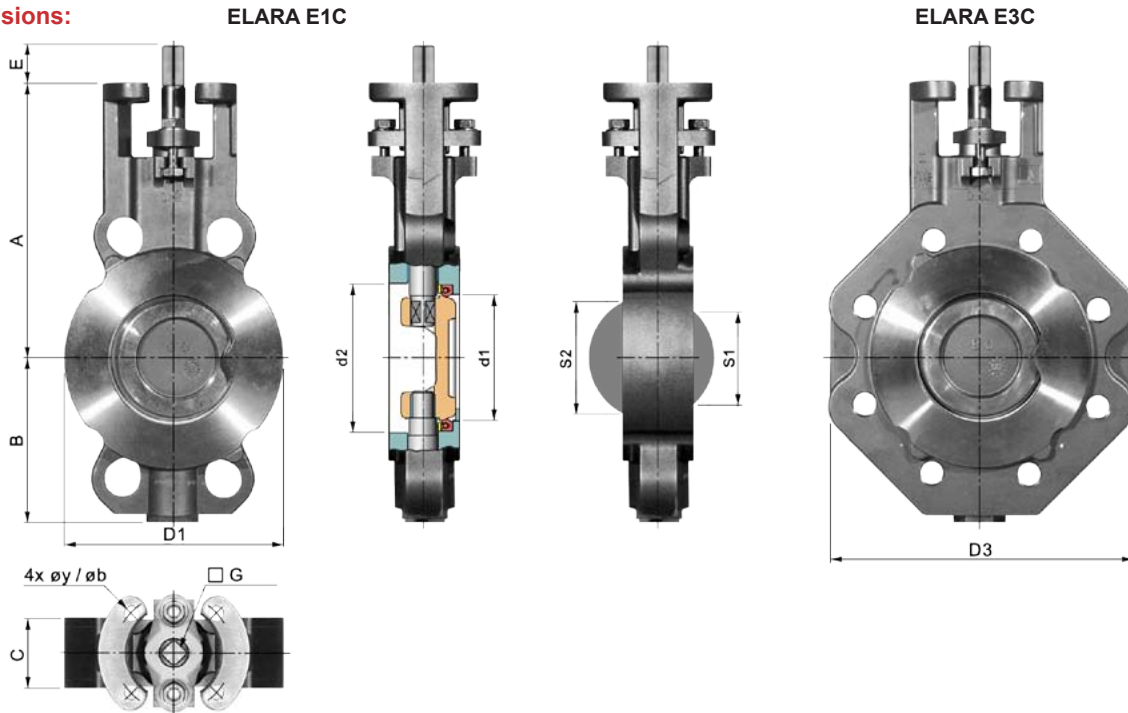
FLUIDS UNDER CONTROL

InterApp AG
 Grundstrasse 24
 CH-6343 Rotkreuz
 Switzerland

Tel. +41 (0)41 798 22 33
 Fax +41 (0)41 798 22 34
<http://www.interapp.net>
info@ch.interapp.net

ELARA Butterfly valve DN50-400

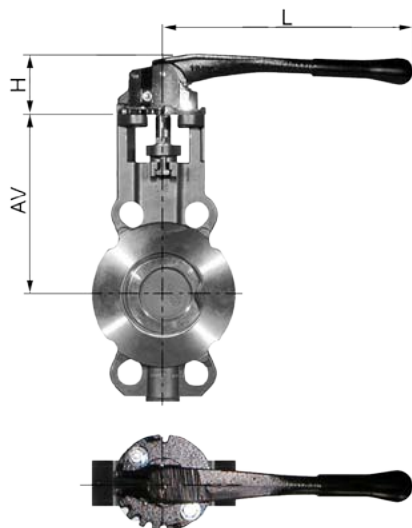
● Dimensions:



DN	d1	d2	A	B	C	D1	D3	(TG)		(TI, IN)		E	G	ISO5211	y	b	E1C	E3C
								S1	S2	S1	S2						[kg]	[kg]
50	50,0	67,0	163	93	44	105	154	12	32	0	41	19	14	F07	9	70	5,3	7,5
65	66,0	81,0	170	100	47	125	178	47	58	38	62,5	19	14	F07	9	70	6,0	9,2
80	81,0	99,0	174	106	47	140	196	64	68	55	73	19	14	F07	9	70	7,0	10,3
100	101,0	120,8	206	123	53	163	225	84	88	77	93	19	14	F07	9	70	8,7	12,4
125	123,0	144,0	215	137	57	193	243	111,5	116,5	105	120,5	19	14	F07	9	70	12,0	16,7
150	151,5	170,5	271	155	57	219	271	137	143	133,5	146	25	17	F10	11	102	18,3	23,6
200	198,5	218,0	300	202	61	273	351	189	194	186	196	25	17	F10	11	102	24,7	34,3
250*	237,6	258,5	353	211	69	397	397	229	238	229	238	31	22	F10	11	102	49	49
300*	286,7	309,5	391	244	79	464	464	278	286	278	286	31	22	F10	11	102	69	69
350			442	335	79	486	547	305	313	305	313	36	27	F12	13	125	96	120
400			489	365	103	537	613	344	356	344	356	45	36	F14	17	140	137	170

* For the wafer type E1C DN250 and 300, the same body as this of the Lug type E3C is been used. But, instead of taped holes, the body has through holes.

● Handlever:



DN	AV	H	L	[kg]*	
50	HLG.F0714.260	162,5	66	260	1,2
65	HLG.F0714.260	169,5	66	260	1,2
80	HLG.F0714.260	173,5	66	260	1,2
100	HLG.F0714.260	205,5	66	260	1,2
125	HLG.F0714.350	215,0	66	350	1,6
150	HLG.F0717.350	270,5	75	350	1,6
200	HLG.F0717.350	299,5	75	350	1,6

* [kg] weight without butterfly valve

FLUIDS UNDER CONTROL

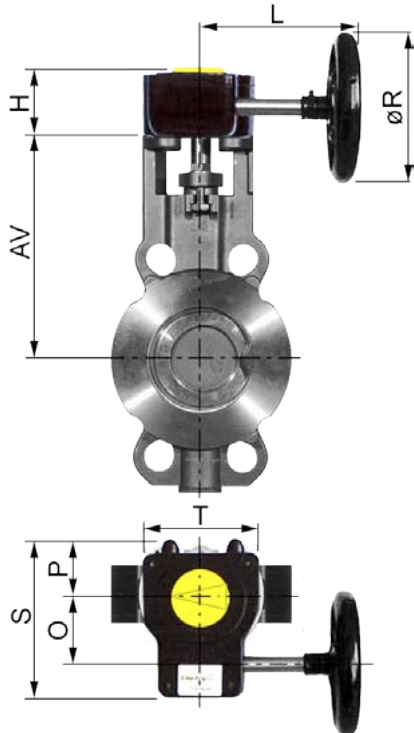
InterApp AG
Grundstrasse 24
CH-6343 Rotkreuz
Switzerland

Tel. +41 (0)41 798 22 33
Fax +41 (0)41 798 22 34
<http://www.interapp.net>
info@ch.interapp.net

ELARA Butterfly valve DN50-400

● Gearbox:

DN 50-100 p max = 50 bar
 DN 125-300 p max = 20 bar



Attention!
Maximum medium temperature 250°C.
 Valve neck extension necessary for higher temperatures.

TG with PTFE seal

DN		AV	H	L	O	P	R	S	T	n**	[kg]*
50	GB232-05.F05-F0714.100	163	52	109	42,5	44,5	100	110	80	10	0,8
65	GB232-05.F05-F0714.100	170	52	109	42,5	44,5	100	110	80	10	0,8
80	GB232-05.F05-F0714.100	174	52	109	42,5	44,5	100	110	80	10	0,8
100	GB232-05.F05-F0714.100	206	52	109	42,5	44,5	100	110	80	10	0,8
125	GB232-05.F05-F0714.100	215	52	109	42,5	44,5	100	110	80	10	0,8
150	GB232-10.F07-F1017.250	271	75	205	60	83	250	178	148	11,25	3,3
200	GB232-10.F07-F1017.250	300	75	205	60	83	250	178	148	11,25	3,3
250	GB232-10.F10-F1222.250	353	75	205	60	83	250	178	148	11,25	3,3
300	GB232-10.F10-F1222.250	391	75	205	60	83	250	178	148	11,25	3,3
350	GB232-12.F10-F1227.315	442	88	229	80	91	315	218	175	10	7
400	GB880N.F1436.315	489	90	218	86	101	315	227	200	9,5	14

TI Fire Safe

IN with metal seat

DN		AV	H	L	O	P	R	S	T	n**	[kg]*
50	GB232-05.F05-F0714.100	163	52	109	42,5	44,5	100	110	80	10	0,8
65	GB232-05.F05-F0714.100	170	52	109	42,5	44,5	100	110	80	10	0,8
80	GB232-05.F05-F0714.100	174	52	109	42,5	44,5	100	110	80	10	0,8
100	GB232-07.F05-F0714.160	206	58	130	50	58	160	133	100	9,25	1,8
125	GB232-07.F05-F0714.160	215	58	130	50	58	160	133	100	9,25	1,8
150	GB232-10.F07-F1017.250	271	75	205	60	83	250	178	148	11,25	3,3
200	GB232-10.F07-F1017.250	300	75	205	60	83	250	178	148	11,25	3,3
250	GB232-12.F10-F1222.315	353	88	234	80	91	315	218	175	10	7
300	GB880N.F1022.315	391	90	218	86	101	315	227	200	9,5	14
350	GB1250N.F1227.400	442	100	326	105	110	400	258	220	13,75	22
400	GB1250N.F1436.400	489	100	326	105	110	400	258	220	13,75	22

* [kg] weight without butterfly valve

** n = Handwheel turns ON/OFF

● Further documentation:

Pneumatic actuators, Electric actuators, Accessories according separate data sheets.

● Important guides:

Installation guide, Maintenance guide, Flanges

Please consult these guides for the installation and maintenance of our butterfly valves.

You can find most of these documents as well as the declaration of conformity and other certificates in several languages at our homepage.

<http://www.interapp.net>

FLUIDS UNDER CONTROL

InterApp AG
 Grundstrasse 24
 CH-6343 Rotkreuz
 Switzerland

Tel. +41 (0)41 798 22 33
 Fax +41 (0)41 798 22 34
<http://www.interapp.net>
info@ch.interapp.net

InterApp AG

Grundstrasse 24
CH-6343 Rotkreuz
Switzerland

Tel. +41 (0)41 798 22 33

Fax +41 (0)41 798 22 34

info@ch.interapp.net

InterApp Ges.m.b.H.

Kolpingstraße 19
A-1230 Wien
Austria

Tel. +43 (0)1 616 23 71 0

Fax +43 (0)1 616 23 71 99

info@at.interapp.net

InterApp Italiana S.r.l.

Via A. Gramsci 29
I-20016 Pero (Milano)
Italy

Tel. +39 02 33 93 71

Fax +39 02 33 93 7200

info@it.interapp.net

InterApp Válvulas S.A.

Igarsa 40
E-28860 Paracuellos de Jarama
Spain

Tel. +34 (0)91 6584360

Fax +34 (0)91 6581430

info@es.interapp.net

InterApp Kft

Bécsi út 100
H-1034 Budapest
Hungary

Tel. +36 (1) 250 9253

Fax +36 (1) 250 9252

info@hu.interapp.net

The technical data are noncommittal and do not assure you of any properties. Please refer to our general sales conditions.

FLUIDS UNDER CONTROL