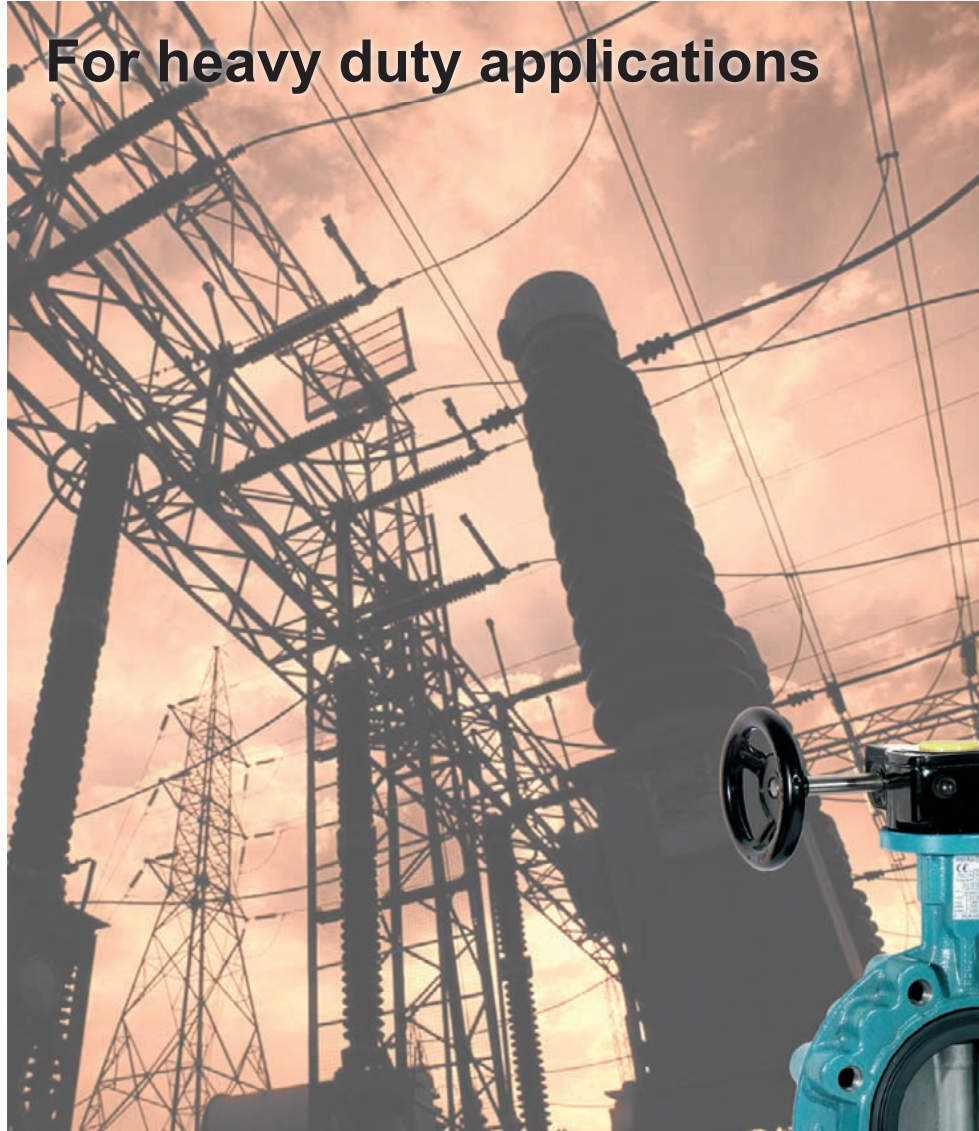




# InterApp IA<sup>®</sup>



**For heavy duty applications**



**Butterfly valve**

## **DESPONIA *plus***



Option

**FLUIDS UNDER CONTROL**

**InterApp AG**  
Grundstrasse 24  
CH-6343 Rotkreuz  
Switzerland

Tel. +41 (0)41 798 22 33  
Fax +41 (0)41 798 22 34  
<http://www.interapp.net>  
[info@ch.interapp.net](mailto:info@ch.interapp.net)

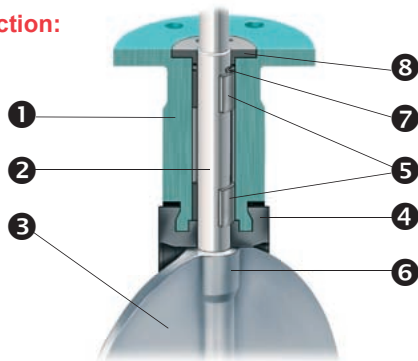
## DESPONIA *plus*

Butterfly valve DN25-600

● **Characteristics:**

<b>DESPONIA <i>plus</i></b>	Centric butterfly valve with elastomer liner	
<b>Application fields</b>	For liquids and gases in the industrial range, general services, water treatment, ...	
<b>Body construction</b>	<b>DP1</b> Wafer DN 25-600	<b>DP3</b> LUG DN 50-400
<b>Face to face dimension</b>	according to ISO 5752/20, EN 558-1/20	
<b>Top flange</b>	according to EN ISO 5211	
<b>Max. working pressure</b>	16/20 bar	
<b>Rating</b>	PN6, PN10, PN16, PN25, ANSI cl. 150	
<b>Temperature range</b>	Standard -10°C ÷ 95°C with EPDM liner, max. -20°C ÷ 200°C according to material, other temperatures on request	
<b>Tightness test</b>	according to EN 12266-1/P12 leakage rate A, test fluid water	
<b>CE</b>	The butterfly valves DESPONIA <i>plus</i> meet the safety requirements of the pressure Equipments Directive 97/23/EC (PED) appendix 1 for fluids of the groups 1 and 2.	
<b>Ex ATEX</b>	Special versions of the DESPONIA <i>plus</i> valves may be used in explosive atmospheres. See brochure DESPONIA <i>plus</i> ATEX.	

● **Construction:**



<b>1</b>	Body (extended valve neck allowing insulation)
<b>2</b>	Blow out proof shaft with position indication
<b>3</b>	Disc
<b>4</b>	Exchangeable liner with sealing grooves on the tightening face
<b>5</b>	Self-lubricating shaft bushing
<b>6</b>	Square driven disc
<b>7</b>	External shaft sealing
<b>8</b>	Retaining washer (blow out protection)

● **Code key:**

**DP1 100 . 33 - 2AE . 4A . 4C0 . EW**

1
2
3 4
5
6
7
8

<b>1 Body type</b>	<b>DP1</b>	Wafer			DN25-600					
	<b>DP3</b>	LUG body			DN50-400					
<b>2 Nominal diameter</b>	<b>025 - 600</b> mm									
<b>3 Working pressure</b>	<b>1</b>	6 bar	<b>2</b>	10 bar	<b>3</b>	16 bar	<b>4</b>	20 bar (only for DP1 with body 3HE or 4C0)		
	<b>1</b>	PN6	<b>2</b>	PN10	<b>3</b>	PN16	<b>A</b>	ANSI cl.150	<b>5</b>	PN25 on request
	<b>5 Body</b>	<b>2AE</b>	Ductile iron GGG40, Epoxy coated 70µ			DP1+DP3, DN25-400				
		<b>3HE</b>	Cast steel GS-C25, 1.0619, Epoxy coated 70µ			DP1 DN50-600, DP3 DN50-250				
<b>6 Shaft</b>	<b>4A</b>	Stainless steel 1.4028, AISI420			DP1 DN50-600, DP3 DN50-250					
	<b>4B</b>	Stainless steel 1.4401, AISI316			DP1 DN50-600, DP3 DN50-250					
<b>7 Disc</b>	<b>4D0</b>	Uranus B6, 1.4539			DP1 DN50-600, DP3 DN50-250					
	<b>2AR</b>	Ductile iron GGG40, Rilsan coated 250µ (max.90°C)			DN25-400					
	<b>2AE</b>	Ductile iron GGG40, Epoxy coated 70µ			DN25-400					
	<b>3HE</b>	Cast steel GS-C25, 1.0619, Epoxy coated 70µ			DN250-600					
	<b>4C0</b>	Stainless steel 1.4408, AISI316			DN25-600					
	<b>4D0</b>	Uranus B6, 1.4539			DN40-400					
<b>8 Liner</b>	<b>5C0</b>	Alubronze G-Cu Al 10 Fe			DN25-600					
	<b>7H0</b>	Hastelloy C, 2.4686			DN40-400					
	<b>E</b>	EPDM (max.95°C)	<b>EW</b>	EPDM (KTW)	<b>N</b>	Nitrile NBR	<b>S</b>	Silicone	<b>V</b>	Viton <sup>®</sup>
		Nitrile carboxylit		(max.130°C)		<b>H</b>		Hypalon		<b>SV</b>
Other materials and white liners on request										

When mounting the valve at the end of a line please note:

- Body type **DP3**
- Medium only for liquids, 10 ÷ 30°C
- Max. working pressure DN25-200 10 bar
- DN250-600 6 bar

- no water hammer !!!

please consult our document "Flanges"

## FLUIDS UNDER CONTROL

**InterApp AG**  
 Grundstrasse 24  
 CH-6343 Rotkreuz  
 Switzerland

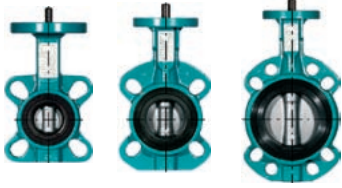
Tel. +41 (0)41 798 22 33  
 Fax +41 (0)41 798 22 34  
<http://www.interapp.net>  
[info@ch.interapp.net](mailto:info@ch.interapp.net)

## DESPONIA *plus*

Butterfly valve DN25-600

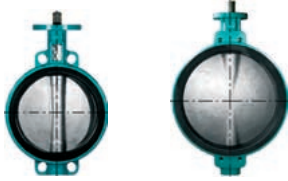
● **DP1 Wafer, DN 25-600**

DN25/32    DN40/50/65    DN80/100

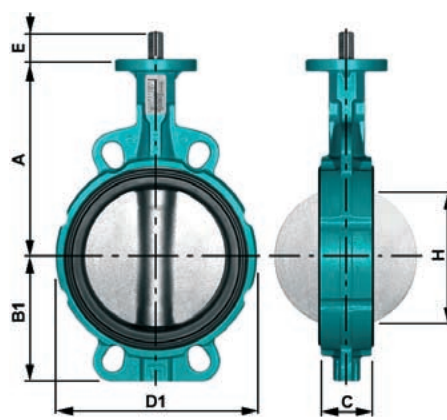


DN250-400

DN450-600

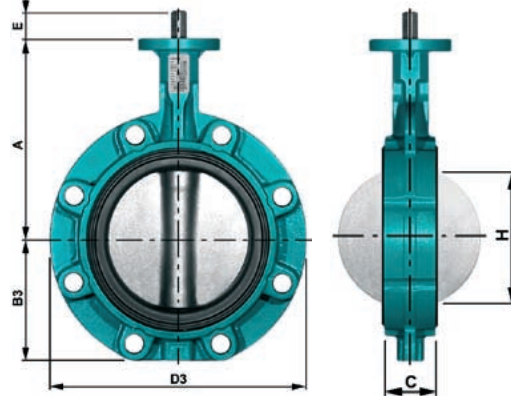


DN125/150/200



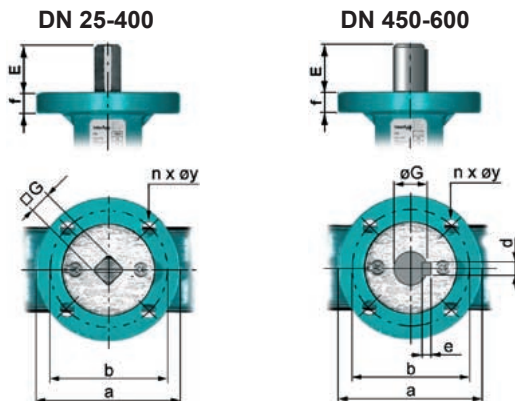
DN	A	B1	C	D1	E	H*	[kg]
25/32	110	50	30	72	19	17,0	1,4
40	130	60	33	86	19	27,0	2,0
50	135	72	43	101	19	30,0	3,0
65	150	82	46	121	19	49,0	3,6
80	160	92	46	138	19	68,5	4,0
100	180	102	52	160	19	88,5	5,5
125	195	120	56	189	19	114,5	7,5
150	210	133	56	214	19	142,0	8,6
200	240	163	60	272	25	193,5	12,7
250	280	196	68	324	32	243,5	22,2
300	315	232	78	378	32	292,5	30,8
350	330	257	78	425	40	329,5	41,5
400	365	292	102	475	40	375,5	57,2
450	400	359	114	538	65	426	95,0
500	440	397	127	595	65	477	125
600	525	467	154	695	80	572	180

● **DP3 LUG body, DN 50-400**



DN	A	B3	C	D3	E	H*	[kg]
50	135	72	43	117	19	30,0	3,2
65	150	82	46	130	19	49,0	4,0
80	160	88	46	188	19	68,5	6,1
100	180	102	52	219	19	88,5	8,5
125	195	116	56	248	19	114,5	10,0
150	210	128	56	274	19	142,0	11,0
200	240	161	60	332	25	193,5	19,6
250	280	199	68	402	32	243,5	28,7
300	315	234	78	472	32	292,5	41,2
350	330	258	78	520	40	329,5	55,0
400	365	290	102	584	40	375,5	75,0

● **Top flange according to EN ISO 5211**



DN	E	G	d	e	f	ISO	a	b	n x øy
25/32	19	□ 8	-	-	12	F07	90	70	4 x 9
40	19	□ 8	-	-	12	F07	90	70	4 x 9
50	19	□ 11	-	-	12	F07	90	70	4 x 9
65	19	□ 11	-	-	12	F07	90	70	4 x 9
80	19	□ 11	-	-	12	F07	90	70	4 x 9
100	19	□ 11	-	-	12	F07	90	70	4 x 9
125	19	□ 14	-	-	12	F07	90	70	4 x 9
150	19	□ 14	-	-	12	F07	90	70	4 x 9
200	25	□ 17	-	-	12	F07	90	70	4 x 9
250	32	□ 22	-	-	18	F10	102	125	4 x 10
300	32	□ 22	-	-	18	F10	102	125	4 x 10
350	40	□ 22	-	-	18	F12	155	125	4 x 13
400	40	□ 27	-	-	18	F12	155	125	4 x 13
450	65	∅ 45	14	9	25	F14	175	140	4 x 18
500	65	∅ 45	14	9	25	F14	175	140	4 x 18
600	80	∅ 70	20	12	25	F16	220	165	4 x 22

● **Further documentation:**

Pneumatic actuators, Electric actuators, Accessories according separate data sheets.

● **Important guides:**

Installation guide, Maintenance guide, Flanges

Please consult these guides for the installation and maintenance of our butterfly valves.

## FLUIDS UNDER CONTROL

InterApp AG  
Grundstrasse 24  
CH-6343 Rotkreuz  
Switzerland

Tel. +41 (0)41 798 22 33  
Fax +41 (0)41 798 22 34  
<http://www.interapp.net>  
[info@ch.interapp.net](mailto:info@ch.interapp.net)

**InterApp AG**

Grundstrasse 24  
CH-6343 Rotkreuz  
Switzerland

Tel. +41 (0)41 798 22 33

Fax +41 (0)41 798 22 34

[info@ch.interapp.net](mailto:info@ch.interapp.net)

**InterApp Ges.m.b.H.**

Kolpingstraße 19  
A-1230 Wien  
Austria

Tel. +43 (0)1 616 23 71 0

Fax +43 (0)1 616 23 71 99

[info@at.interapp.net](mailto:info@at.interapp.net)

**InterApp Italiana S.r.l.**

Via A. Gramsci 18  
I-20016 Pero (Milano)  
Italy

Tel. +39 02 33 93 71

Fax +39 02 33 93 7200

[info@it.interapp.net](mailto:info@it.interapp.net)

**InterApp Válvulas S.A.**

Juan Ramón Jiménez 16  
E-28860 Paracuellos de Jarama  
Spain

Tel. +34 (0)91 6584130

Fax +34 (0)91 6584129

[info@es.interapp.net](mailto:info@es.interapp.net)

**InterApp Kft**

Bécsi út 100  
H-1034 Budapest  
Hungary

Tel. +36 (0)1 250 9253

Fax +36 (0)1 250 9252

[info@hu.interapp.net](mailto:info@hu.interapp.net)

The technical data are noncommittal and do not assure you of any properties. Please refer to our general sales conditions.

**FLUIDS UNDER CONTROL**