



InterApp **IA**[®]



3-way ball valve
stainless steel

BVT34 1/4" - 2"



FLUIDS UNDER CONTROL

InterApp AG
Grundstrasse 24
CH-6343 Rotkreuz
Switzerland

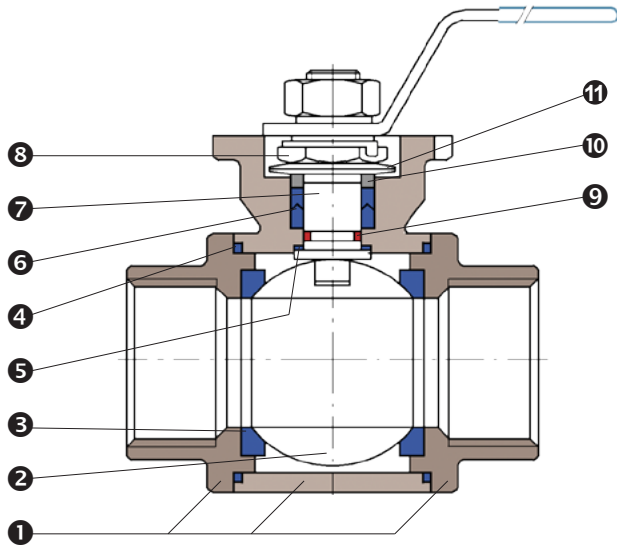
Tel. +41 (0)41 798 22 33
Fax +41 (0)41 798 22 34
<http://www.interapp.net>
info@ch.interapp.net

BVT34, BVL34 3-way ball valve (stainless steel) G1/4" - 2"

● Characteristics:

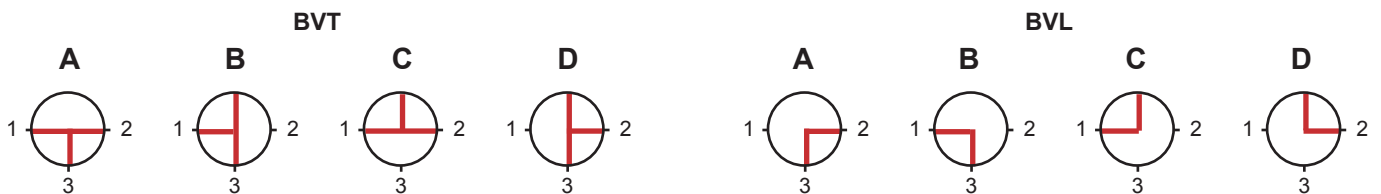
BVT34, BVL34	3-way stainless steel ball valve PN63, DN10-50 (1/4" - 2"), with reduced bore and top flange for mounting of actuator
Connection	Thread DIN EN 10226-1 (DIN 2999)
Max. working pressure	63 bar
Temperature range	-10°C ÷ 160°C, Versions for lower temperatures on request
CE	The ball valves BVT34, BVL34 meet the safety requirements of the pressure Equipments Directive 97/23/EC (PED) appendix 1 for fluids of the groups 1 and 2.

● Construction:

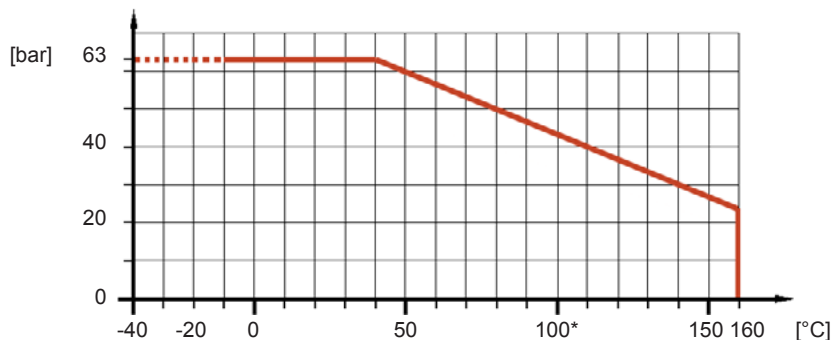


1	Body	CF8M (1.4408)
2	Ball	AISI 316 (1.4401)
3	Seat ring (4 pcs)	PTFE
4	Seal ring	PTFE
5	Washer	PTFE
6	Stem seal self-adjusting with disc spring	PTFE
7	Stem	AISI 316 (1.4401)
8	Gland nut	AISI 304 (1.4301)
9	Seal ring	Viton
10	Gland ring	AISI 304 (1.4301)
11	Bevel washer	Spring steel

Possible ball positions:



● Pressure / temperature diagram:



* For temperatures >100°C a mounting bracket with adapter is mounted between ball valve and actuator.

FLUIDS UNDER CONTROL

InterApp AG
 Grundstrasse 24
 CH-6343 Rotkreuz
 Switzerland

Tel. +41 (0)41 798 22 33
 Fax +41 (0)41 798 22 34
<http://www.interapp.net>
info@ch.interapp.net

BVT34, BVL34 3-way ball valve (stainless steel) G1/4" - 2"™

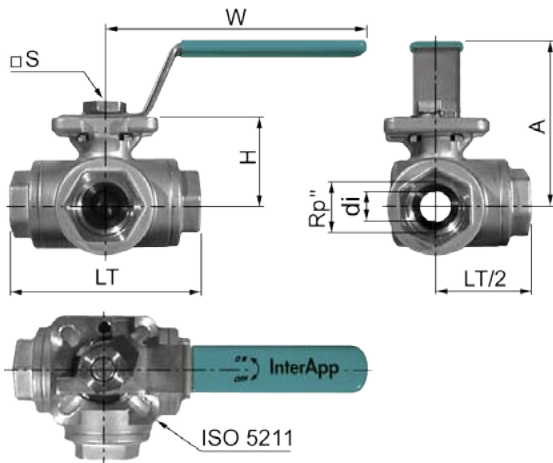
• Code key:

BVT 34 RT . 014 . SST

① ② ③ ④ ⑤

① Type	BVT	ball valve with T-bore	
	BVL	ball valve with L-bore	
② Construction	34	3 ways, 4-piece body	
③ Bore, connection	R	Reduced bore	
	T	Threaded connection	
④ Size	014-	1/4" -	
	200	2"	
⑤ Materials	S	Body stainless steel	CF8M (1.4408)
	S	Ball stainless steel	AISI 316 (1.4401)
	T	Seat ring	PTFE

• Dimensions:



	Rp"	DN	d _i	LT	H	S	A	W	ISO	k _v [m ³ /h]	kg
BVT34RT.014.SST	¼	10	11,6	80	36	9	73	114	F03+04	2,29	0,5
BVT34RT.038.SST	⅜	12	12,7	80	36	9	73	114	F03+04	4,75	0,5
BVT34RT.012.SST	½	15	12	80	36	9	73	114	F03+04	4,75	0,8
BVT34RT.034.SST	¾	20	15	87,5	42	11	78	133	F04+05	5,11	1,0
BVT34RT.100.SST	1	25	20	100	47	11	83	133	F04+05	11,8	1,5
BVT34RT.114.SST	1¼	32	25	123	52	11	92	187	F04+05	19,6	2,0
BVT34RT.112.SST	1½	40	32	142	58	11	98	187	F04+05	33,2	3,0
BVT34RT.200.SST	2	50	40	171	66	14	126	187	F05+07	53,7	5,0

FLUIDS UNDER CONTROL

InterApp AG
 Grundstrasse 24
 CH-6343 Rotkreuz
 Switzerland

Tel. +41 (0)41 798 22 33
 Fax +41 (0)41 798 22 34
<http://www.interapp.net>
info@ch.interapp.net

InterApp AG

Grundstrasse 24
CH-6343 Rotkreuz
Switzerland

Tel. +41 (0)41 798 22 33
Fax +41 (0)41 798 22 34

info@ch.interapp.net

InterApp Ges.m.b.H.

Kolpingstraße 19
A-1230 Wien
Austria

Tel. +43 (0)1 616 23 71 0
Fax +43 (0)1 616 23 71 99

info@at.interapp.net

InterApp Italiana S.r.l.

Via A. Gramsci 29
I-20016 Pero (Milano)
Italy

Tel. +39 02 33 93 71
Fax +39 02 33 93 7200

info@it.interapp.net

InterApp Válvulas S.A.

Igarsa 40
E-28860 Paracuellos de Jarama
Spain

Tel. +34 (0)91 6584360
Fax +34 (0)91 6581430

info@es.interapp.net

InterApp Kft

Bécsi út 100
H-1034 Budapest
Hungary

Tel. +36 (1) 250 9253
Fax +36 (1) 250 9252

info@hu.interapp.net

The technical data are noncommittal and do not assure you of any properties. Please refer to our general sales conditions.

FLUIDS UNDER CONTROL