



InterApp **IA**[®]



Flange ball valve
stainless steel, two-piece body

BVO22 DN15-300



TA Luft

FLUIDS UNDER CONTROL

InterApp AG
Grundstrasse 24
CH-6343 Rotkreuz
Switzerland

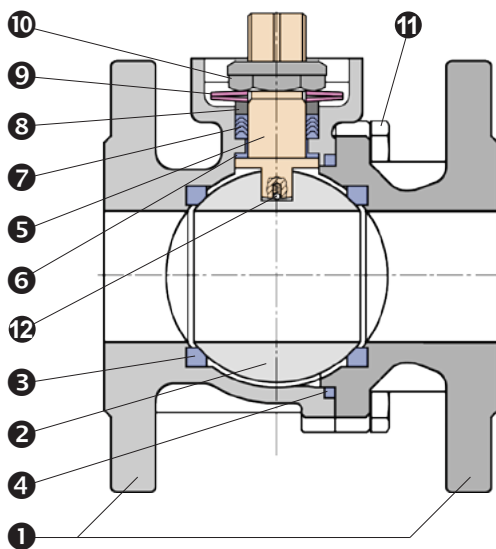
Tel. +41 (0)41 798 22 33
Fax +41 (0)41 798 22 34
<http://www.interapp.net>
info@ch.interapp.net

BVO22 Flange ball valve (stainless steel) DN 15-300

● Characteristics:

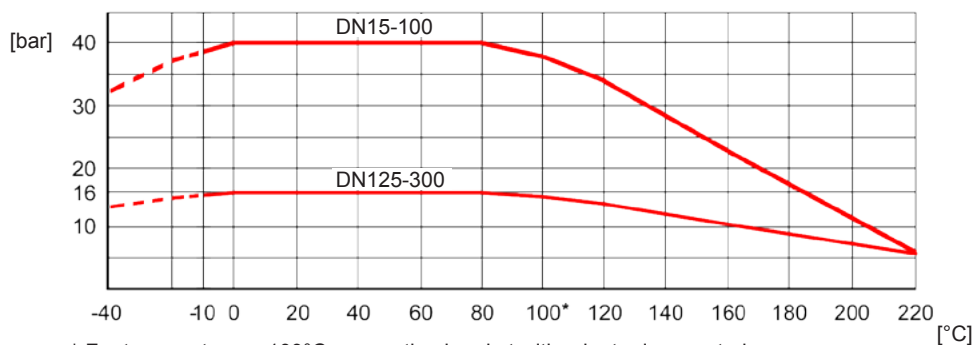
| | |
|-------------------------------|---|
| BVO22 | Stainless steel ball valve PN16/40 with flanged ends and two-piece body, full bore. Mounting flange for actuators according to ISO 5211. |
| Connection | DN15-50 flanges PN40 DN65-100 flanges PN16 or PN40 DN125-300 flanges PN16 |
| Face to face dimension | DN15-100 DIN 3202-F4 (short) = standard, or DIN 3202-F1 (long) DN125-300 DIN 3202-F5 |
| Max. working pressure | 16/40 bar |
| Temperature range | -10°C + 220°C, Versions for lower temperatures on request |
| Fire Safe execution | optional for DN15-100 (according to BS 6755 und ISO 10479) |
| Fire Safe design | optional for DN125-300 |
| TA Luft | in compliance with TA Luft requirements |
| Antistatic execution | standard for DN15-100, optional for DN125-300. |
| CE | The ball valves BVO22 meet the safety requirements of the pressure Equipments Directive 97/23/EC (PED) appendix 1 for fluids of the groups 1 and 2. |

● Construction:



| | | |
|-----------|--|--|
| 1 | Two-piece body | Stainless steel CF8M, DN15-300 Cast steel GS-C25, DN125-200 |
| 2 | Ball DN15-50 | Stainless steel AISI 316 (1.4401) |
| | Ball DN65-125 | Stainless steel CF8M (1.4408) |
| | Hollow ball DN200-300 | Stainless steel CF8M (1.4408) |
| 3 | Seat ring (ball) | PTFE + 20% glass fibre |
| 4* | Seal ring | PTFE |
| 5 | Stem | Stainless steel AISI 316 (1.4401) |
| 6 | Lower bearing | PTFE + 20% glass fibre |
| 7* | Gland packing self adjusting according to TA-Luft (DN15-100) | PTFE |
| 8 | Gland ring | Stainless steel AISI 316 (1.4401) |
| 9 | Bevel washer | Spring steel |
| 10 | Nut | A2 |
| 11 | Bolt | DN15-100, A4-70 DN125-300, A2-70 |
| 12 | Antistatic ball standard for DN15-100 | Stainless steel AISI 316 (1.4401) |
| | * Material = graphite for Fire Safe execution „FS“ | |

● Pressure / temperature diagram:



* For temperatures >100°C a mounting bracket with adapter is mounted between ball valve and actuator (dependent on actuator).

For applications with steam:

- use seat ring „S“ 80% PTFE + 15% glass fibre + 5% carbon

- $t_{max} = 160^\circ\text{C}$, $p_{max} = 5 \text{ bar}$

FLUIDS UNDER CONTROL

InterApp AG
Grundstrasse 24
CH-6343 Rotkreuz
Switzerland

Tel. +41 (0)41 798 22 33
Fax +41 (0)41 798 22 34
<http://www.interapp.net>
info@ch.interapp.net

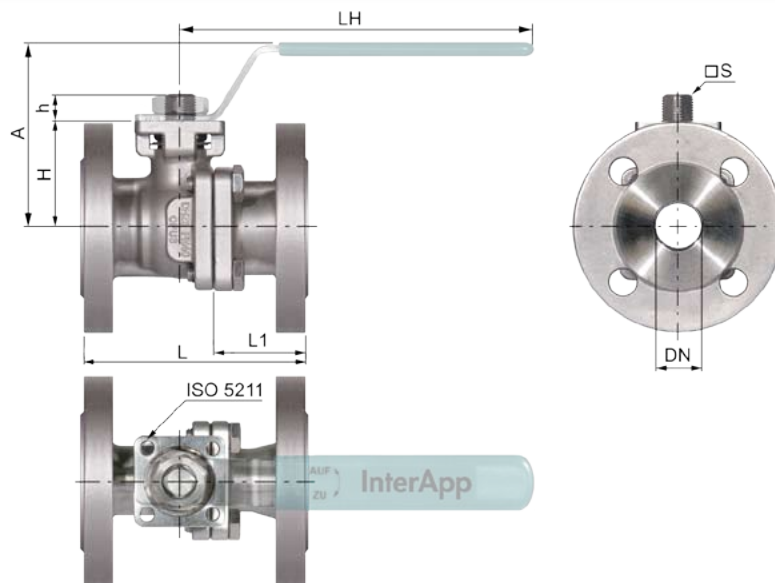
BVO22 Flange ball valve (stainless steel) DN 15-300

• Code key:

BVO 22 FK . 025 . SST - ..
 ① ② ③ ④ ⑤ ⑥ ⑦ ⑧

| | | | | |
|--------------------------|----------------|--|---|-----------|
| ① Type | BVO | Ball valve flanged type with ISO top flange | | |
| ② Construction | 22 | 2/2 ways, two-piece body | | |
| ③ Bore | F | Full bore | | |
| ④ Face to face dimension | K | F4 (short) standard DN15-100, F5 DN125-300 | | |
| | F | F1 (long) DN15-100 | | |
| ⑤ Size | 015-300 | DN15-300 | | |
| ⑥ Materials body / ball | S | Body stainless steel | CF8M (1.4408) | DN15-300 |
| | C | Body cast steel | GS-C25 (ASTM A216 WCB) | DN125-200 |
| | S | Ball stainless steel | DN15-50, AISI 316 (1.4401) DN65-300, CF8M (1.4408) | |
| ⑦ Materials seat ring | T | Seat ring white (standard) | PTFE | |
| | P | Seat ring PEEK | | |
| | S | Seat ring grey (for steam $t_{max} = 160^{\circ}C$, $p_{max} = 5$ bar) | PTFE +15% glass fibre +5% carbon | |
| ⑧ Special executions | FS | Fire safe execution (according BS 6755 and ISO 10497) | DN15-100 | |
| | FD | Fire safe design | DN125-300 | |
| | AS | Anti static execution | DN125-300 | |
| | HJ | Heating jacket | | |

• Dimensions:



BVO22FK face to face dim. DIN 3202 F4 (DN15-100), F5 (DN125-300)

| | DN | L | L1 | H | h | S | ISO 5211 | kv[m³/h] | [kg] |
|-----------------|-----|-----|------|------|-----|----|----------|----------|------|
| BVO22FK.015.SST | 15 | 115 | 48,5 | 50,0 | 11 | 11 | F05 | 35 | 2,7 |
| BVO22FK.020.SST | 20 | 120 | 51,5 | 53,5 | 11 | 11 | F05 | 46 | 3,4 |
| BVO22FK.025.SST | 25 | 125 | 52,0 | 58,5 | 14 | 14 | F05 | 72 | 4,4 |
| BVO22FK.032.SST | 32 | 130 | 57,0 | 71,0 | 14 | 14 | F05 | 105 | 5,6 |
| BVO22FK.040.SST | 40 | 140 | 59,0 | 76,0 | 17 | 17 | F07 | 170 | 8,1 |
| BVO22FK.050.SST | 50 | 150 | 62,0 | 83,5 | 17 | 17 | F07 | 275 | 10,7 |
| BVO22FK.065.SST | 65 | 170 | 72,0 | 95,0 | 17 | 17 | F07 | 507 | 14,5 |
| BVO22FK.080.SST | 80 | 180 | 71,2 | 113 | 22 | 22 | F10 | 905 | 20,7 |
| BVO22FK.100.SST | 100 | 190 | 75,5 | 131 | 22 | 22 | F10 | 1414 | 29,7 |
| BVO22FK.125.SST | 125 | 325 | 123 | 170 | 102 | 22 | F10/F12 | 2362 | 59,5 |
| BVO22FK.150.SST | 150 | 350 | 126 | 179 | 102 | 27 | F10/F12 | 3674 | 80,2 |
| BVO22FK.200.SST | 200 | 400 | 140 | 214 | 102 | 27 | F12 | 7155 | 144 |
| BVO22FK.250.SST | 250 | 450 | 150 | 255 | 156 | 36 | F14 | 12500 | 231 |
| BVO22FK.300.SST | 300 | 500 | 140 | 295 | 156 | 36 | F14 | 20780 | 302 |

BVO22FF face to face DIN 3202 F1

| | DN | L | L1 | [kg] |
|-----------------|-----|-----|-------|------|
| BVO22FF.015.SST | 15 | 130 | 63,5 | 2,7 |
| BVO22FF.020.SST | 20 | 150 | 81,5 | 3,5 |
| BVO22FF.025.SST | 25 | 160 | 87,0 | 4,5 |
| BVO22FF.032.SST | 32 | 180 | 107,0 | 6,0 |
| BVO22FF.040.SST | 40 | 200 | 119,0 | 8,6 |
| BVO22FF.050.SST | 50 | 230 | 142,0 | 11,5 |
| BVO22FF.065.SST | 65 | 290 | 192,0 | 16,1 |
| BVO22FF.080.SST | 80 | 310 | 201,2 | 22,6 |
| BVO22FF.100.SST | 100 | 350 | 235,5 | 33,4 |

Handlever

| DN | A | LH | [kg] |
|-----|-----|-----|------|
| 15 | 92 | 180 | 0,5 |
| 20 | 93 | 180 | 0,6 |
| 25 | 101 | 180 | 0,6 |
| 32 | 113 | 180 | 0,9 |
| 40 | 123 | 300 | 1,5 |
| 50 | 130 | 300 | 1,8 |
| 65 | 142 | 300 | 2,6 |
| 80 | 195 | 400 | 3,4 |
| 100 | 213 | 400 | 5,2 |
| 125 | 272 | 700 | 12 |
| 150 | 281 | 700 | 12 |

Further documentation:

Pneumatic actuators, electric actuators, accessories according separate data sheets. You can find most of these documents as well as the declaration of conformity and other certificates in several languages under „DOWNLOAD“ at our homepage

<http://www.interapp.net>

Modifications without notice

FLUIDS UNDER CONTROL

InterApp AG
 Grundstrasse 24
 CH-6343 Rotkreuz
 Switzerland

Tel. +41 (0)41 798 22 33
 Fax +41 (0)41 798 22 34
<http://www.interapp.net>
info@ch.interapp.net

Copyright © by InterApp

BVO22 3/4 (0638)

InterApp AG

Grundstrasse 24
CH-6343 Rotkreuz
Switzerland

Tel. +41 (0)41 798 22 33
Fax +41 (0)41 798 22 34

info@ch.interapp.net

InterApp Ges.m.b.H.

Kolpingstraße 19
A-1230 Wien
Austria

Tel. +43 (0)1 616 23 71 0
Fax +43 (0)1 616 23 71 99

info@at.interapp.net

InterApp Italiana S.r.l.

Via A. Gramsci 29
I-20016 Pero (Milano)
Italy

Tel. +39 02 33 93 71
Fax +39 02 33 93 7200

info@it.interapp.net

InterApp Válvulas S.A.

Igarsa 40
E-28860 Paracuellos de Jarama
Spain

Tel. +34 (0)91 6584360
Fax +34 (0)91 6581430

info@es.interapp.net

InterApp Kft

Bécsi út 100
H-1034 Budapest
Hungary

Tel. +36 (1) 250 9253
Fax +36 (1) 250 9252

info@hu.interapp.net

The technical data are noncommittal and do not assure you of any properties. Please refer to our general sales conditions.

FLUIDS UNDER CONTROL