



# InterApp **IA**<sup>®</sup>



**Ball valve**  
stainless steel, three-piece body

## **BVH23 1/4" - 4"**







**FLUIDS UNDER CONTROL**

**InterApp AG**  
Grundstrasse 24  
CH-6343 Rotkreuz  
Switzerland

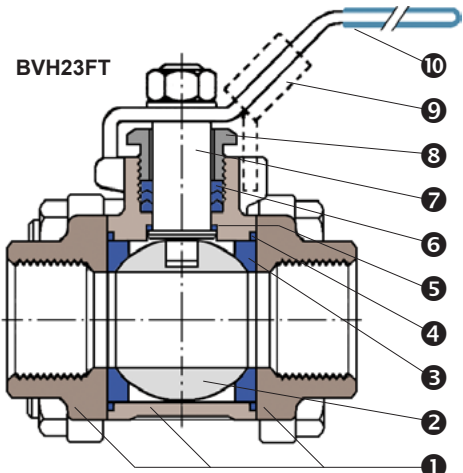
Tel. +41 (0)41 798 22 33  
Fax +41 (0)41 798 22 34  
<http://www.interapp.net>  
[info@ch.interapp.net](mailto:info@ch.interapp.net)

## BVH23 Ball valve (stainless steel, 3-piece body) 1/4" - 4"

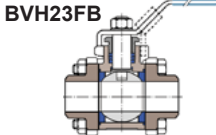
### ● Characteristics:

<b>BVH23</b>	Stainless steel ball valve with 3-piece body, full bore			
<b>Connection</b>	threaded ends DIN EN 10266-1, Rp1/4" - 4" <b>BVH23FT</b>	butt weld ends DN10-100 <b>BVH23FB</b>	butt weld ends long DN15-100 <b>BVH23FL</b>	flanged ends PN40 DN15-100 <b>BVH23FF</b>
				
<b>Face to face dimension</b>	DIN 3202-M3	DIN 3202-S13	-	DIN 3202-F1
<b>Max. working pressure</b>	63 bar	63 bar	63 bar	40 bar
<b>Temperature range</b>	-10°C + 230°C, Versions for lower temperatures on request			
<b>CE</b>	The ball valves BVH23 meet the safety requirements of the pressure Equipments Directive 97/23/EC (PED) appendix 1 for fluids of the groups 1 and 2.			

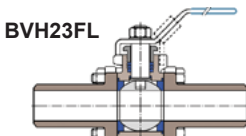
### ● Construction:



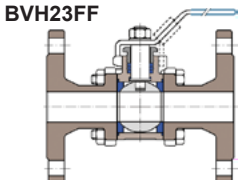
**BVH23FT**



**BVH23FB**



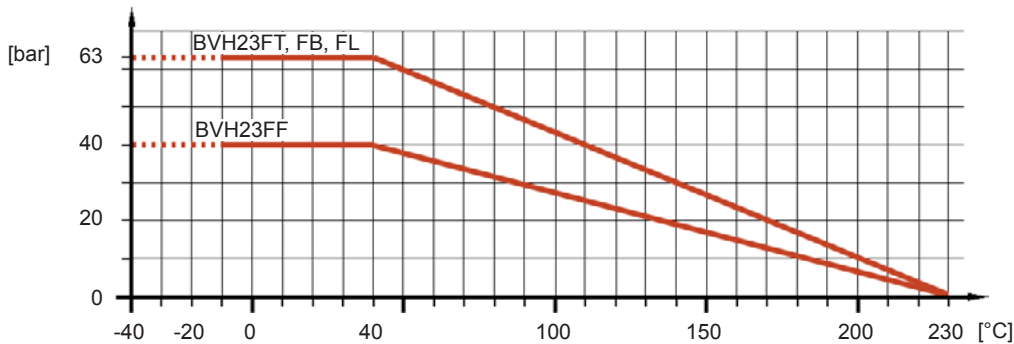
**BVH23FL**



**BVH23FF**

<b>1</b>	3-piece body	CF8M (1.4408)
<b>2</b>	Ball	AISI 316 (1.4401)
<b>3</b>	Seat ring white (standard)	PTFE
	Seat ring grey (for steam)	PTFE+15% glass fibre +5% carbon
<b>4</b>	Seal ring	PTFE
<b>5</b>	Washer	PTFE
<b>6</b>	Stem seal	PTFE
<b>7</b>	Stem	AISI 316 (1.4401)
<b>8</b>	Gland nut	AISI 304 (1.4301)
<b>9</b>	Locking pad (option)	AISI 304 (1.4301)
<b>10</b>	Handle cover by plastic	AISI 304 (1.4301)

### ● Pressure / temperature diagram:



For applications with steam:  
 - use seat ring „S“ 80% PTFE + 15% glass fibre + 5% carbon  
 -  $t_{max} = 160^{\circ}\text{C}$ ,  $p_{max} = 5 \text{ bar}$

## FLUIDS UNDER CONTROL

**InterApp AG**  
 Grundstrasse 24  
 CH-6343 Rotkreuz  
 Switzerland

Tel. +41 (0)41 798 22 33  
 Fax +41 (0)41 798 22 34  
<http://www.interapp.net>  
[info@ch.interapp.net](mailto:info@ch.interapp.net)

## BVH23 Ball valve (stainless steel, 3-piece body) 1/4" - 4"

• Code key:

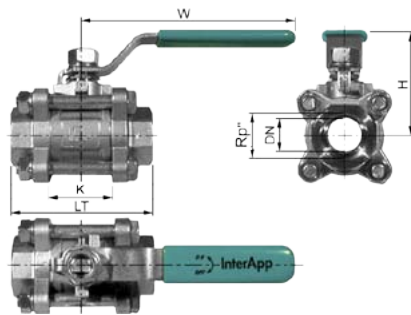
**BVH 23 FT . 014 . SST**

① ② ③ ④ ⑤ ⑥ ⑦

① Type	<b>BVH</b>	Ball valve with handlever	
② Construction	<b>23</b>	2/2 ways, two-piece body	
③ Bore	<b>F</b>	Full bore	
④ Connection	<b>T</b>	Threaded ends	
	<b>B</b>	Buttweld ends	
	<b>L</b>	Buttweld ends long	
	<b>F</b>	Flanged ends PN40	
⑤ Size	<b>014-400</b>	1/4" - 4"	
	<b>015-100</b>	DN15-100 (BVH23FF)	
⑥ Materials body / ball	<b>S</b>	Body stainless steel	CF8M (1.4408)
	<b>S</b>	Ball stainless steel	AISI 316 (1.4401)
⑦ Materials seat ring	<b>T</b>	Seat ring white (standard)	PTFE
	<b>S</b>	Seat ring grey (for steam) t <sub>max</sub> = 160°C, p <sub>max</sub> = 5 bar	PTFE +15% glass fibre +5% carbon

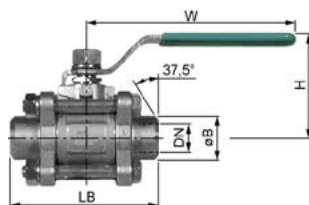
• Dimensions:

BVH23FT



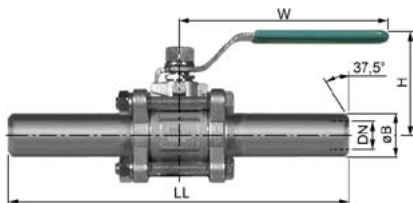
	Rp"	DN	LT	K	H	W	k <sub>v</sub> [m <sup>3</sup> /h]	kg
BVH23FT.014.SST	¼	10	60	21	55	95	8,6	0,35
BVH23FT.038.SST	¾	12	60	21	55	95	21	0,40
BVH23FT.012.SST	½	15	75	26	64	125	35	0,65
BVH23FT.034.SST	¾	20	80	33	67	125	46	0,80
BVH23FT.100.SST	1	25	90	39	83	140	72	1,20
BVH23FT.114.SST	1¼	32	110	51	89	140	105	1,95
BVH23FT.112.SST	1½	40	120	58	100	200	170	2,75
BVH23FT.200.SST	2	50	140	71	108	200	275	4,50
BVH23FT.212.SST	2½	65	185	77	150	250	507	8,90
BVH23FT.300.SST	3	80	205	105	161	250	905	12,9
BVH23FT.400.SST	4	100	240	130	180	290	1414	22,5

BVH23FB



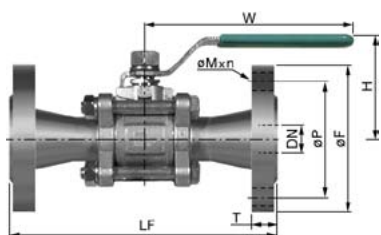
		DN	øB	LB	H	W	k <sub>v</sub> [m <sup>3</sup> /h]	kg
BVH23FB.014.SST	¼	10	20	70	55	95	8,6	0,35
BVH23FB.038.SST	¾	12	20	70	55	95	21	0,40
BVH23FB.012.SST	½	15	23	75	64	125	35	0,65
BVH23FB.034.SST	¾	20	28	90	67	125	46	0,80
BVH23FB.100.SST	1	25	34	100	83	140	72	1,20
BVH23FB.114.SST	1¼	32	41	110	89	140	105	1,95
BVH23FB.112.SST	1½	40	49	125	100	200	170	2,75
BVH23FB.200.SST	2	50	62	150	108	200	275	4,50
BVH23FB.212.SST	2½	65	78	190	150	250	507	8,90
BVH23FB.300.SST	3	80	94	220	161	250	905	12,9
BVH23FB.400.SST	4	100	125	270	180	290	1414	22,5

BVH23FL



		DN	øB	LL	H	W	k <sub>v</sub> [m <sup>3</sup> /h]	kg
BVH23FL.012.SST	½	15	23	225	64	125	35	0,72
BVH23FL.034.SST	¾	20	28	225	67	125	46	0,88
BVH23FL.100.SST	1	25	34	245	83	140	72	1,32
BVH23FL.114.SST	1¼	32	41	255	89	140	105	2,15
BVH23FL.112.SST	1½	40	49	260	100	200	170	3,03
BVH23FL.200.SST	2	50	62	275	108	200	275	4,95
BVH23FL.212.SST	2½	65	78	335	150	250	507	9,79
BVH23FL.300.SST	3	80	94	355	161	250	905	14,2
BVH23FL.400.SST	4	100	125	365	180	290	1414	24,8

BVH23FF



	DN	øF	øP	T	øMxn	LF	H	W	k <sub>v</sub> [m <sup>3</sup> /h]	kg
BVH23FF.015.SST	15	95	65	16	14x4	130	64	125	35	2,45
BVH23FF.020.SST	20	105	75	18	14x4	150	67	125	46	3,50
BVH23FF.025.SST	25	115	85	18	14x4	160	83	140	72	4,70
BVH23FF.032.SST	32	140	100	18	18x4	180	89	140	105	5,90
BVH23FF.040.SST	40	150	110	18	18x4	200	100	200	170	7,80
BVH23FF.050.SST	50	165	125	20	18x4	230	108	200	275	11,3
BVH23FF.065.SST	65	185	145	22	18x8	290	150	250	507	16,9
BVH23FF.080.SST	80	200	160	24	18x8	310	161	250	905	23,9
BVH23FF.100.SST	100	235	190	24	22x8	350	180	290	1414	34,9

**FLUIDS UNDER CONTROL**

InterApp AG  
Grundstrasse 24  
CH-6343 Rotkreuz  
Switzerland

Tel. +41 (0)41 798 22 33  
Fax +41 (0)41 798 22 34  
<http://www.interapp.net>  
[info@ch.interapp.net](mailto:info@ch.interapp.net)

**InterApp AG**

Grundstrasse 24  
CH-6343 Rotkreuz  
Switzerland

Tel. +41 (0)41 798 22 33  
Fax +41 (0)41 798 22 34

[info@ch.interapp.net](mailto:info@ch.interapp.net)

**InterApp Ges.m.b.H.**

Kolpingstraße 19  
A-1230 Wien  
Austria

Tel. +43 (0)1 616 23 71 0  
Fax +43 (0)1 616 23 71 99

[info@at.interapp.net](mailto:info@at.interapp.net)

**InterApp Italiana S.r.l.**

Via A. Gramsci 29  
I-20016 Pero (Milano)  
Italy

Tel. +39 02 33 93 71  
Fax +39 02 33 93 7200

[info@it.interapp.net](mailto:info@it.interapp.net)

**InterApp Válvulas S.A.**

Igarsa 40  
E-28860 Paracuellos de Jarama  
Spain

Tel. +34 (0)91 6584360  
Fax +34 (0)91 6581430

[info@es.interapp.net](mailto:info@es.interapp.net)

**InterApp Kft**

Bécsi út 100  
H-1034 Budapest  
Hungary

Tel. +36 (1) 250 9253  
Fax +36 (1) 250 9252

[info@hu.interapp.net](mailto:info@hu.interapp.net)

The technical data are noncommittal and do not assure you of any properties. Please refer to our general sales conditions.

**FLUIDS UNDER CONTROL**